

ORCA HARDWARE™



PRODUCT CATALOG

Table of Contents

Interior Flat and Round Track Hardware		Door Hinges	
How to Order.....	4	Residential Hinges.....	32-34
Flat Track Kits.....	5-7	Commercial Hinges.....	35-36
Hanger Options & Component Parts.....	8-9	Spring Hinges.....	37
Stainless Round Track Kits.....	10	Cabinet Hardware	
Track Pulls and Accessories & Specs.....	11-12	Bar & Wire Pulls.....	39-40
Mini Flat Track Kits.....	14-15	Knobs & Pulls.....	42-42
Interior Pocket & Bypass Track Hardware		Architectural Trim Hardware	
Pocket Door Frame Kits.....	16	Residential Trim Hardware.....	43-45
Sliding & Bypass Track.....	17-19	Commercial Trim Hardware.....	46
Component Parts & Specs.....	20-21	Commercial Locks	
Bathroom Accessories		Captain.....	48
Cypress.....	24	Admiral.....	49
Waldron.....	25	Deadbolt and Accessories.....	50-51
Blakely.....	26	Exit Devices	
Whidbey.....	27	Standard Duty Exit Devices.....	54-56
Swirl.....	28	Heavy Duty Exit Devices.....	57-60
Ripple.....	29	Door Closers	
Vashon.....	30	BHDC 2011.....	62
		BHDC 1958.....	63
		Drop Plates.....	64

Orca Hardware Warranty

Orca Hardware warrants its products manufactured to be free from defects in materials and workmanship for a period of ten (10) years from the date of purchase, except Orca Interior Track Hardware. Orca Hardware warrants its interior track products for two (2) years from the date of purchase.

This limited warranty does not cover products that (i) are not the proper size for the application; (ii) are not installed in accordance with Orca Hardware's published installation instructions; (iii) are installed with improper or incorrect parts [Note: It is recommended that the products be installed with the Orca Hardware fasteners provided with the product]; (iv) have been, in the opinion of Orca Hardware, modified, repaired, or altered in any way without the express written consent of Orca Hardware v) are used for purposes which they are not designed or intended; or (vi) are subjected to misuse, abuse, negligence, or accident. The following costs and expenses are not covered by the provisions of this limited warranty: (i) labor costs for the removal and reinstallation of products; (ii) shipping and freight expenses required to return products to Orca Hardware; (id) normal maintenance; and (iv) economic losses.

Orca Hardware will replace the products which, in the opinion of Orca Hardware, are found to be defective, provided said products are returned to an Orca Hardware Authorized Dealer. Contact your authorized Orca Hardware Distributor at 800-207-2297 for return information.

ORCA HARDWARE SHALL IN NO EVENT BE LIABLE FOR ANY INCIDENTAL, CONSEQUENTIAL, INDIRECT, SPECIAL, OR PUNITIVE DAMAGES FOR ANY CLAIM WHETHER BASED ON CONTRACT, WARRANTY, TORT (INCLUDING, BUT NOT LIMITED TO, STRICT LIABILITY OR NEGLIGENCE), PATENT INFRINGEMENT, OR OTHERWISE, EVEN IF ADVISED OF THE POSSIBILITY OF SUCH DAMAGES.

This limited warranty is in place of all other warranties, expressed or implied, and excludes any warranties of fitness for a particular purpose or merchantability. No agent, representative, dealer, or employee of Orca Hardware has the authority to increase or alter the obligations of this limited warranty.

Note: Should the Product be considered a "consumer product" as may be covered by the Magnuson-Moss Federal Warranty Act, please be advised that. (1) Some states do not allow limitations on incidental or consequential damages or how long an implied warranty lasts, so that the above limitations may not fully apply; and (2) This warranty gives specific legal rights and a user may have other rights which may vary from state to state.



orcahardware.com

INTERIOR FLAT & ROUND TRACK HARDWARE



POCKET, SLIDING, BYPASS TRACK HARDWARE

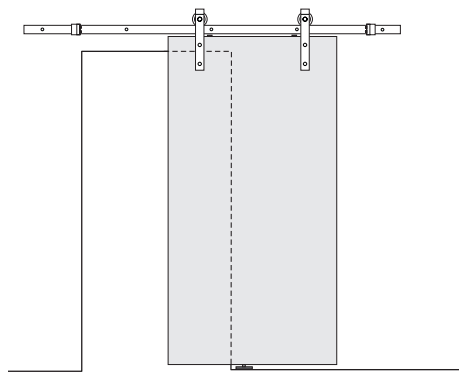


GENERAL INFORMATION

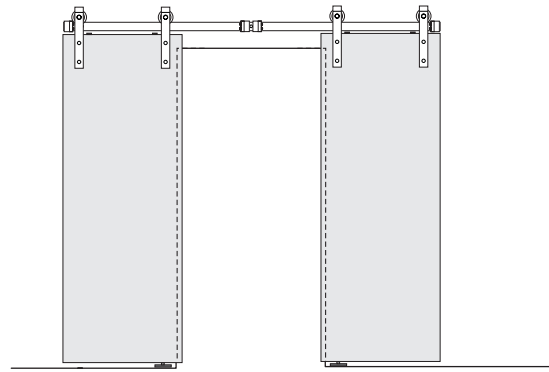
<p>APPLICATIONS:</p> <p>Interior Sliding Doors up to 200 lbs. Maximum Door Thickness: 1-3/4" 1 Door Standard 2 Door Option with either a double door kit or extra hangers, stops, guide</p>	<p>FINISHES:</p> <p>Flat Track Black Oil-Rubbed Bronze Satin Stainless Satin Nickel</p> <p>Round Track Stainless Steel</p>	<p>TRACK KITS INCLUDE:</p> <table border="0"> <tr> <td>Track*</td> <td>Connector Plate <i>(for optional use, only in FT Kits)</i></td> </tr> <tr> <td>2 Hangers</td> <td>All Fasteners</td> </tr> <tr> <td>Spacers</td> <td>Door Guides</td> </tr> <tr> <td>End Stops</td> <td>Instructions</td> </tr> <tr> <td>Anti-Jump Blocks <i>(only in Flat Track Kits)</i></td> <td></td> </tr> </table> <p style="text-align: right;">*1 piece except where noted</p>	Track*	Connector Plate <i>(for optional use, only in FT Kits)</i>	2 Hangers	All Fasteners	Spacers	Door Guides	End Stops	Instructions	Anti-Jump Blocks <i>(only in Flat Track Kits)</i>	
Track*	Connector Plate <i>(for optional use, only in FT Kits)</i>											
2 Hangers	All Fasteners											
Spacers	Door Guides											
End Stops	Instructions											
Anti-Jump Blocks <i>(only in Flat Track Kits)</i>												

HOW TO ORDER COMMON APPLICATIONS

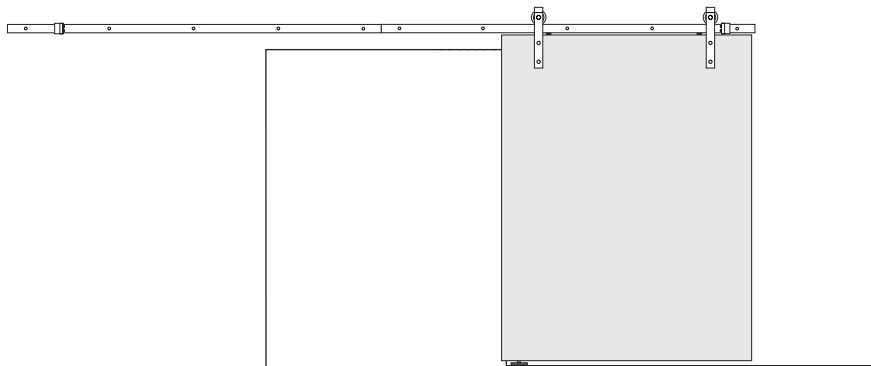
Doors not included.



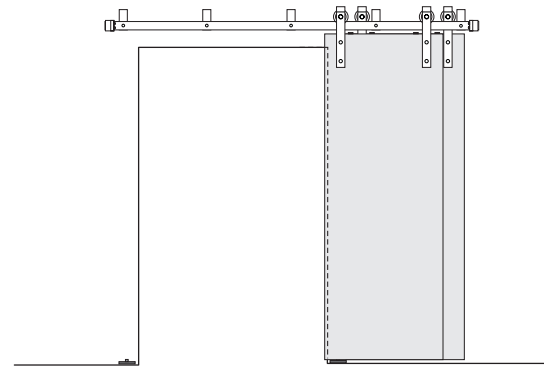
Single Door Covers Opening
Order 1 Complete Kit



Two Doors Covers Opening
Order 1 Complete Kit & 1 Double Door Kit



Single Door Covering A Wide Opening
Order 2 Complete Kits



Two Doors Covers Opening as Bypass
Order 2 Complete Kits & Bypass Brackets

More Ordering Examples

Order Standard Kit + order parts shown above

Example 1: Single Door with Softclose: Order 1 Complete Kit and Soft Close Adapter

Example 2: 2 Doors on single 8' Round Track: Order 1 8' Complete Kit, 2 hangers, 2 stops, 1 guide, 1 connector

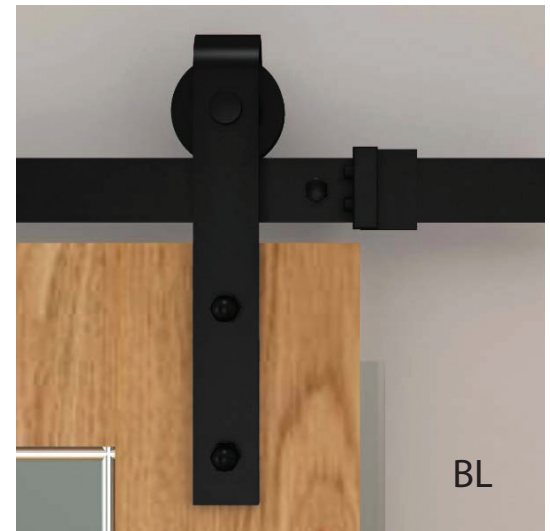
Example 3: Horseshoe (or Spear) Hangers: Order FTST Complete Kit plus 2 Horseshoe Hangers

- Polymer Wheels for quiet operation
- 200 lbs per Door
- 6', 8' & 10' Options
- For Interior 1-3/8" or 1-3/4" Thick Doors
- All Fasteners Included, including optional connector plate
- Additional Options for: Soft Close & Soft Open, Double Door Applications, & Bypass Applications



FLAT TRACK

Finishes



PART NO.	DESCRIPTION
FTST-BL-6	6' Black Flat Track Kit
FTST-BL-78	6' 6" Black Flat Track Kit
FTST-BL-8	8' Black Flat Track Kit
FTST-OB-6	6' Oil-Rubbed Bronze Flat Track Kit
FTST-OB-8	8' Oil-Rubbed Bronze Flat Track Kit
FTST-SS-6	6' Satin Stainless Flat Track Kit
FTST-SS-8	8' Satin Stainless Flat Track Kit
FTST-SN-6	6' Satin Nickel Flat Track Kit
FTST-SN-8	8' Satin Nickel Flat Track Kit

KITS CONTAIN:
Track (40mm H x 6mm W), Traditional Hangers, Spacers, End Stops, Floor Guides, Anti-Jump Blocks, Track Connector, and all Necessary Fasteners

PART NO.	DESCRIPTION
FTST-BL-8C	8' Black Flat Track Kit
FTST-OB-8C	8' Oil-Rubbed Bronze Flat Track Kit
FTST-SS-8C	8' Satin Stainless Flat Track Kit
FTST-BL-10C	10' Black Flat Track Kit
FTST-SS-10C	10' Satin Stainless Flat Track Kit
FTST-SN-10C	10' Satin Nickel Flat Track Kit

KITS CONTAIN:
Two 4' Tracks (40mm H x 6mm W), Traditional Hangers, Spacers, End Stops, Floor Guides, Anti-Jump Blocks, Track Connector, and all Necessary Fasteners

KITS CONTAIN:
Two 5' Tracks (40mm H x 6mm W), Traditional Hangers, Spacers, End Stops, Floor Guides, Anti-Jump Blocks, Track Connector, & all Necessary Fasteners



See pages 12 and 13 for specifications and additional parts.

TOP MOUNT HANGER

Standard Kits

FLAT TRACK



- Polymer Wheels for quiet operation
- 200 lbs per Door
- 6'6" and 8' Options
- For Interior 1-3/8" or 1-3/4" Thick Doors Only
- All Fasteners Included, including optional connector plate
- Additional Options for: Soft Close & Soft Open, Double Door Applications, & Bypass Applications

Finishes



PART NO.	DESCRIPTION
FTTM-BL-6-6	6'6" Black Flat Track Kit
FTTM-BL-8	8' Black Flat Track Kit
FTTM-SS-6-6	6'6" Satin Stainless Flat Track Kit
FTTM-SS-8	8' Satin Stainless Flat Track Kit
FTTM-SN-6-6	6'6" Satin Nickel Flat Track Kit
FTTM-SN-8	8' Satin Nickel Flat Track Kit

KITS CONTAIN:
Track (40mm H x 6mm W), Top Mount Hangers, Spacers, End Stops, Floor Guides, Anti-Jump Blocks, Track Connector, and all Necessary Fasteners

PART NO.	DESCRIPTION
FTTM-BL-8C	8' Black Flat Track Kit
FTTM-SS-8C	8' Satin Stainless Flat Track Kit

KITS CONTAIN:
Two 4' Tracks (40mm H x 6mm W), Top Mount Hangers, Spacers, End Stops, Floor Guides, Anti-Jump Blocks, Track Connector, and all Necessary Fasteners

See pages 12 and 13 for specifications and additional parts.

SPOKE WHEEL HANGER

Standard Kits

- Polymer Wheels for quiet operation
- 200 lbs per Door
- 6' and 8' Options
- For Interior 1-3/8" or 1-3/4" Thick Doors
- All Fasteners Included
- Additional Options for: Soft Close & Soft Open & Double Door Applications
- Available only in Black

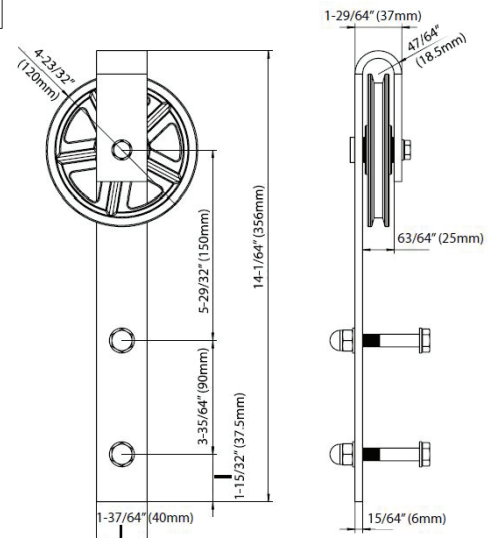


FLAT TRACK

PART NO.	DESCRIPTION	
FTSK-BL-6	6' Black Spoke Wheel Flat Track Kit	KITS CONTAIN: Track (40mm H x 6mm W), Spoke Wheel Hangers, Spacers, End Stops, Floor Guides, Anti-Jump Blocks, Track Connector, and all Necessary Fasteners
FTSK-BL-8	8' Black Spoke Wheel Flat Track Kit	
FTSK-BL-8C	8' Black Spoke Wheel Flat Track Kit	KITS CONTAIN: Two 4' Tracks (40mm H x 6mm W), Spoke Wheel Hangers, Spacers, End Stops, Floor Guides, Anti-Jump Blocks, Track Connector, and all Necessary Fasteners



See pages 12 and 13 for specifications and additional parts.



HANGER OPTIONS

Hangers Only - Order 2 Optional Hangers along with a Standard Kit

FLAT TRACK



Spear Hanger

- Polymer Wheels for quiet operation
- 200 lbs per Door
- For Interior 1-3/8" or 1 3/4" Thick Doors
- 2 lengths of door bolts included
- Order main track kit separately

PART NO.	FINISH	DESCRIPTION
FTSP-HANGER-BL	Black	Spear Hanger Option for Flat Track
FTSP-HANGER-OB	Oil-Rubbed Bronze	

Horse Shoe Hanger

- Polymer Wheels for quiet operation
- 200 lbs per Door
- For Interior 1-3/8" or 1 3/4" Thick Doors
- 2 lengths of door bolts included
- Order main track kit separately



See pages 12 and 13 for specifications and additional parts.

PART NO.	FINISH	DESCRIPTION
FTHS-HANGER-BL	Black	Horse Shoe Hanger Option for Flat Track
FTHS-HANGER-OB	Oil-Rubbed Bronze	

Order 2 Optional Hangers along with a Standard Kit

Double Door Hanger Kits for Flat Track

Add to a Complete Kit for applications of 2 doors on a single track

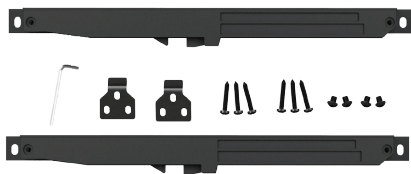


PART NO.	DESCRIPTION	
FTST-DDK-BL	Black Standard Double Door Hanger Kit	
FTST-DDK-OB	Oil-Rubbed Standard Bronze Double Door Hanger Kit	KITS CONTAIN: Two Hangers, Two End Stops, Two Floor Guide, Two Anti-Jump Blocks, and all Necessary Fasteners
FTST-DDK-SS	Stainless Steel Standard Double Door Hanger Kit	
FTTM-DDK-BL	Black Top Mount Double Door Hanger Kit	
FTTM-DDK-SS	Stainless Steel Top Mount Double Door Hanger Kit	
FTSK-DDK-BL	Black Spoke Wheel Double Door Hanger Kit	

For double door applications where kits are not available, order hangers, stops, guides, and anti-jump blocks.

Soft-Close & Open

- Closes door quietly and smoothly
- 2 per set, for soft close and soft open



PART NO.	FINISH	DESCRIPTION
FT-SOFTCLOSE-BL	Black	Soft-Close for Flat Track (2/set)
FT-SOFTCLOSE-GR	Grey	



Bypass Bracket

- Allows Two Doors to Bypass
- One Bypass Bracket Required for each Spacer
- 5 Brackets for 6' Track
- 5 Brackets for 6'6" Track
- 6 Brackets for 8' Track (8 & 8C)
- 8 Brackets for 10C Track (10C)

PART NO.	FINISH	DESCRIPTION
FTST-BYPASS-BL	Black	Bypass Bracket for Flat Track
FTST-BYPASS-OB	Oil-Rubbed Bronze	
FTST-BYPASS-SS	Satin Stainless	

ROUND STAINLESS STEEL TRACK

Standard Kits

STAINLESS ROUND TRACK



- Polymer Wheels for quiet operation
- 200 lbs per Door
- 6' and 8' Options
- For Interior 1-3/8" or 1-3/4" Thick Doors
- All Fasteners Included
- Quality Boxed Packaging
- Satin Stainless finish only

PART NO.	DESCRIPTION	HANGERS	
RDTM-SS-6	6' Satin Stainless Round Track Kit	Top-Mount Hangers	KITS CONTAINS: Track (25mm Dia x 2mm thick), Hangers, Spacers, End Stops, Floor Guide, and all Necessary Fasteners
RDTM-SS-6	6' Satin Stainless Round Track Kit	Top-Mount Hangers	
RDST-SS-6	6' Satin Stainless Round Track Kit	Drop Hangers	KITS CONTAINS: Track (25mm Dia x 2mm thick), Hangers, Spacers, End Stops, Floor Guide, and all Necessary Fasteners
RDST-SS-8	8' Satin Stainless Round Track Kit		

See pages 12 and 13 for specifications and additional parts.



- Polymer Wheels for quiet operation
- Built-In Soft Close & Open
- 200 lbs per Door
- 6' Option Only in Stainless Steel
- For Interior 1-3/8" or 1-3/4" Thick Doors
- All Fasteners Included

PART NO.	DESCRIPTION	HANGERS	
RDTMDS-SS-6	6' Satin Stainless Round Track with Built In Soft Close	Top Mount w/ Soft Close	KITS CONTAINS: Track (25mm Dia x 2mm thick), Hangers, Spacers, End Stops, Floor Guide, and all Necessary Fasteners

The RDTMDS-SS-6 is only available as a kit. The extra components shown on page 12 are not compatible with this track set.



AH-RECPULL-6.5



AH-PRIVLATCH



AH-WMADJ-BL



AH-RDPULL

MFG #	DESCRIPTION	FINISH
AH-RDPULL-BL	Round Pull, 1.89" Dia., Pair	Black (Stainless)
AH-RDPULL-SS		Stainless
AH-PRIVLATCH-BL	Privacy Latch for Sliding Doors	Black
AH-PRIVLATCH-SS		Stainless
AH-WMADJ-BL	Wall Mounted Door Guide	Black
AH-RECPULL-BL-6.5	Rectangular Pull, 6.5"	Black
AH-RECPULL-SS-6.5		Stainless
AH-RECPULL-BL-8	Rectangular Pull, 8"	Black
AH-RECPULL-SS-8		Stainless
AH-COMBOPULL-SS	12" Round Bar Pull & 8" Recessed Pull Combo	Stainless
AH-COMBOPULL-BL		Black
AH-COMBOSQ-SS	12" Square Bar Pull & 8" Recessed Pull Combo	Stainless
AH-COMBOSQ-BL		Black



AH-RECPULL-8



AH-COMBOPULL



AH-COMBOSQ

COMPONENT PARTS

For Flat Track and Round Stainless



Hangers

PART NO.	FINISH	DESCRIPTION
----------	--------	-------------

FLAT TRACK HANGERS

FTST-HANGER-BL	Black	
FTST-HANGER-OB	Oil-Rubbed Bronze	Traditional Drop Hanger Only
FTST-HANGER-SS	Stainless Steel	
FTST-HANGER-SN	Satin Nickel	
FTTM-HANGER-BL	Black	
FTTM-HANGER-SS	Satin Stainless	Top Mount Hanger Only
FTTM-HANGER-SN	Satin Nickel	
FTSK-HANGER-BL	Black	Spoke Wheel Hanger Only

PART NO.	FINISH	DESCRIPTION
FTHS-HANGER-BL	Black	Horseshoe Hanger Only
FTHS-HANGER-OB	Oil-Rubbed Bronze	
FTSP-HANGER-BL	Black	Spear Hanger Only
FTSP-HANGER-OB	Oil-Rubbed Bronze	

ROUND STAINLESS HANGERS

RDTM-HANGER-SS	Stainless Steel	Top Mount Hanger Only
RDST-HANGER-SS	Stainless Steel	Drop Hanger Only

Components

PHOTO	PART NO.	DESCRIPTION
-------	----------	-------------

Flat Track Additional Parts

	FTST-STOP-BL	Extra Stops for Flat Track
	FTST-STOP-OB	
	FTST-STOP-SS	
	FTST-STOP-SN	
	FT-GUIDE-BL	Extra Floor Guide, Black
	FT-ADJGD-BL	Adjustable Metal Guide, Black
	FT-METGD	Metal Guide, Black
	FT-BLOCK-BL	Anti-Jump Blocks, Black
	FT-CONNECT-BL	Connector Plate
	FT-CONNECT-OB	
	FT-CONNECT-SS	
	FTSK-STOP-BL	Extra Stop for Spoke Wheel Hanger, Black
	FT-WASHER-6-BL	6 mm Spacer Extender, 6/ Set
	FT-WASHER-6-OB	
	FT-WASHER-6-SS	
	FT-WASHER-6-SN	

PHOTO	PART NO.	DESCRIPTION
-------	----------	-------------

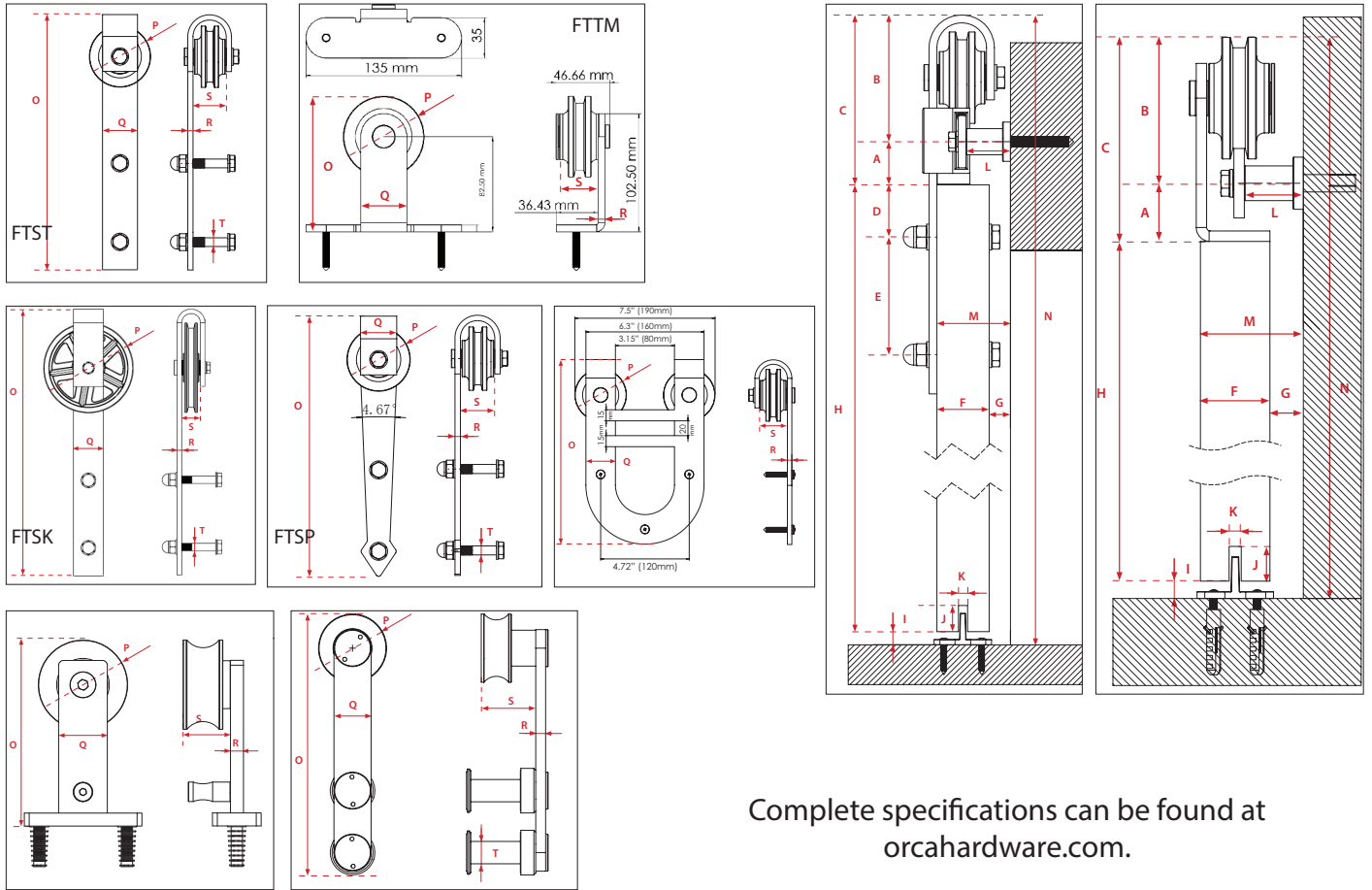
	FT-WASHER-14-BL	14 mm Spacer Extender & Lag, 6/Set
	FT-WASHER-14-OB	
	FT-WASHER-14-SS	
	FT-WASHER-14-SN	
	FTST-SPACER-BL	Track Spacer W/ Lag Bolt For 1-3/8 - 1-3/4" Door
	FTST-SPACER-OB	
	FTST-SPACER-SN	
	FTST-SPACER-SS	
	FTSK-SPACER-BL	

Round Track Additional Parts

	RD-CONNECT-SS	Round Track Connector for Combining Tracks, Stainless Steel
	RDST-STOP-SS	Extra Stop for Drop Hangers, Stainless Steel
	RDTML-STOP-SS RDTMR-STOP-SS	Extra Stops for Top Mount Hangers, Stainless Steel
	RD-GUIDE-SS	Extra Floor Guide, Stainless Steel
	RDST-MOUNT-SS	Mounting Bracket for RDTM-SS, Stainless Steel
	RDSTE-MOUNT-SS	Mounting Bracket for RDST-SS, Stainless Steel

SPECIFICATIONS

For Flat Track and Round Stainless



Complete specifications can be found at orcahardware.com.

Measurement	FTST	FTTM	FTSK	FTSP	FTMS	RDTM	R DST
A	1.299" / 33mm	1.319" / 33.5mm	1.299" / 33mm	1.299" / 33mm	1.299" / 33mm	2.047" / 52mm	.984" / 25mm
B	3.858" / 98mm	3.307" / 84mm	6.122" / 155.5mm	3.858" / 98mm	3.858" / 98mm	1.673" / 62.5mm	2.401" / 61.5mm
C	5.157" / 131mm	4.626" / 117.5mm	7.421" / 188.5mm	5.157" / 131mm	5.157" / 131mm	4.508" / 114.5mm	3.405" / 86.5mm
D	1.575" / 40mm	-	1.575" / 40mm	1.575" / 40mm	.965" / 24.5mm	-	2.165" / 55mm
E	3.543" / 90mm	-	3.543" / 90mm	3.543" / 90mm	2.933" / 74.5mm	-	1.968" / 50mm
F	Door Thickness						
G	2.205" - F / 56-F*mm	2.441" - F / 62-F*mm	2.185" - F / 55.5-F*mm	2.205" - F / 56-F*mm	2.205" - F / 56-F*mm	1.53" - F/2 / 38.9-F/2*mm	2.275" - F / 57.8-F*mm
H	Height of Door						
I	.394" / 10mm	.394" / 10mm	.394" / 10mm	.394" / 10mm	.394" / 10mm	.394" / 10mm	.394" / 10mm
J	.787" / 20mm	.787" / 20mm	.787" / 20mm	.787" / 20mm	.787" / 20mm	.787" / 20mm	0.787" / 20mm
K	.275" / 7mm	.275" / 7mm	.275" / 7mm	.275" / 7mm	.275" / 7mm	.275" / 7mm	.275" / 7mm
L	1.338" / 34mm	1.338" / 34mm	1.575" / 40mm	1.338" / 34mm	1.338" / 34mm	.7086" / 18mm	.984" / 25mm
M	2.205" / 56mm	2.441" / 62mm	2.185" / 55.5mm	2.205" / 56mm	2.205" / 56mm	(F/2)+1.53" / (F/2)+38.9mm	1.88" / 2.275" / 47.8 / 57.8^mm
N	H + 5.551" / H+141mm	H + 5.019" / H+127.5mm	H + 7.815" / H+198.5mm	H + 5.551" / H+141mm	H + 5.551" / H+141mm	H + 4.901" / H+124.5mm	H + 3.799" / H+96.5mm
O	11.417" / 290mm	4.626" / 117.5mm	14.0157" / 356mm	11.319" / 287.5mm	9.842" / 250mm	4.508" / 114.5mm	8.287" / 210.5mm
P	2.756" / 70 dia.mm	2.756" / 70 dia.mm	4.724" / 120 dia.mm	2.756" / 70 dia.mm	2.756" / 70 dia.mm	2.165" / 55 dia.mm	2.165" / 55 dia.mm
Q	1.575" / 40mm	1.575" / 40mm	1.575" / 40mm	1.575" / 40mm	1.575" / 40mm	1.181" / 30mm	1.181" / 30mm
R	.236" / 6mm	.236" / 6mm	.236" / 6mm	.236" / 6mm	.236" / 6mm	.315" / 8mm	.315" / 8mm
S	1.496" / 38mm	1.496" / 38mm	.984" / 25mm	1.496" / 38mm	1.496" / 38mm	1.145" / 29.1mm	1.771" / 45mm
T	.394" / 10 dia.mm	-	.394" / 10 dia.mm	.394" / 10 dia.mm	-	-	.708" / 18mm

CABINET FLAT TRACK KIT

Hangers & Hardware to Add a Second Door to a Track



CABINET FLAT TRACK



FTTM-MINI-BL-5



FTSP-MINI-BL-5



FTLO-MINI-SN-5



FTST-MINI-SN-5

COMPLETE KITS

Part Number	Description
FTST-MINI-BL-5	5 FT Black Flat Track with Standard Drop Hangers
FTST-MINI-SN-5	5 FT Satin Nickel Flat Track with Standard Drop Hangers
FTTM-MINI-BL-5	5 FT Black Flat Track with Top Mount Hangers
FTSP-MINI-BL-5	5 FT Black Flat Track with Spear Hangers
FTLO-MINI-BL-5	5 FT Black Flat Track with Long Drop Hangers

GENERAL INFORMATION

APPLICATIONS:	FINISHES:	Single Door Track Kit includes:
Cabinet Sliding Doors or Panels up to 60 lbs.	Single Door Flat Black Satin Nickel (Only available on standard hangers)	5' Track Hangers (2) Spacers End Stops
Maximum Door Thickness: 1-3/8"	Double Door Kits Flat Black Satin Nickel (Only available on standard hangers)	Anti-Jump Blocks All Fasteners Door Guides Instructions
Single door or double door		Double Door Kit includes: Hangers (2) End Stops Anti-Jump Blocks
		All Fasteners Door Guides

For information about Orca Hardware's product warranty visit www.orcahardware.com/warranty



FTLO-MINI-BL-5 and
FTLO-MINI-BL-DDK

HOW TO ORDER

Single Door Kits

Hanger Type	Finish	Doors
ST (Std Drop Hanger)	Flat Black	5' (Single Door)
TM (Top Mount)	Satin Nickel	
LO (Long Drop)		
SP (Spear)		

Double Door Applications

ORDER FULL SINGLE DOOR KIT + DOUBLE DOOR KIT

Hanger Type	Finish	Doors
ST (Std Drop Hanger)	Flat Black	DDK (Double Door)
TM (Top Mount)	Satin Nickel	
LO (Long Drop)		
SP (Spear)		

DOUBLE DOOR KITS

FTSP-MINI-BL-5 and
FTSP-MINI-BL-DDK



Part Number	Description
FTST-MINI-BL-DDK	Black Double Door Kit for Standard Drop Hangers
FTST-MINI-SN-DDK	Satin Nickel Double Door Kit for Standard Drop Hangers
FTTM-MINI-BL-DDK	Black Double Door Kit for Top Mount Hangers
FTSP-MINI-BL-DDK	Black Double Door Kit for Spear Hangers
FTLO-MINI-BL-DDK	Black Double Door Kit for Long Drop Hangers

POCKET DOOR HARDWARE

3-Wheel Hangers, 200 lbs Pocket Door Frame Kits



POCKET DOOR HARDWARE



PK1200-BB



PK1200-Track



PK-1225-KIT

Part Number	Description
-------------	-------------

POCKET DOOR FRAME COMPLETE KITS

PK1200-80-BB	6' 8" Pocket Door Frame Kit with 2 Ball Bearing Rollers, 200LB Capacity, for 2x4 Frames
PK1200-84-BB	7' Pocket Door Frame Kit with 2 Ball Bearing Rollers, 200LB Capacity, for 2x4 Frames
PK1200-96-BB	8' Pocket Door Frame Kit with 2 Ball Bearing Rollers, 200LB Capacity, for 2x4 Frames

BULK TRACK AND PARTS

PK1200-TR-48	48" Sliding Door Aluminum Track Only for 1225 Rollers
PK1200-TR-60	60" Sliding Door Aluminum Track Only for 1225 Rollers
PK1200-TR-72	72" Sliding Door Aluminum Track Only for 1225 Rollers
PK1200-TR-96	96" Sliding Door Aluminum Track Only for 1225 Rollers
PK-1225-KIT	Pocket Door Part Set, Triple Wheel Rollers & Hardware, 1" Ball Bearing Wheels, 200LB Capacity
PK-1225-BB	Single Roller Only, Triple Wheel Roller for Pocket Door, 1" Ball Bearing Wheel, 200LB Capacity
PKSC-1216	Soft Close for 1200 Series Track

See pages 20-21 for specifications and additional parts.



BYPASS DOOR HARDWARE

4 Wheel Hangers, 250 lbs Track & Hardware Kits



BPK-1600



250 LB. BYPASS HARDWARE

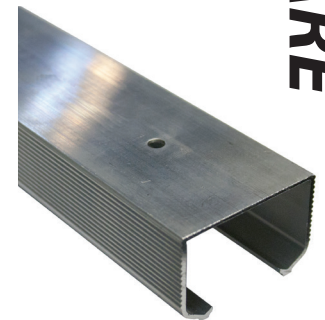
Part Number	Description
-------------	-------------

SLIDING DOOR HARDWARE SETS, 250 lbs

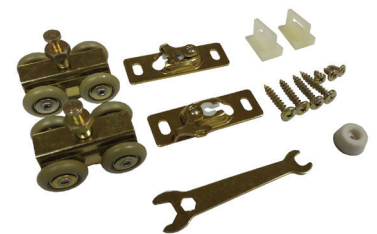
BPK1600-48	4' 4-Wheel Ball Bearing Bypass Door Hardware Complete Kit for 250 lbs
BPK1600-60	5' 4-Wheel Ball Bearing Bypass Door Hardware Complete Kit for 250 lbs
BPK1600-72	6' 4-Wheel Ball Bearing Bypass Door Hardware Complete Kit for 250 lbs

BULK TRACK AND PARTS

PK-1672	72" Track Only for 4 Wheel Roller
PK-1696	96" Track Only for 4 Wheel Roller
PK-1625-BB	Hardware Set for Sliding Pocket Door, 4 Wheel Ball Bearing Rollers and Hardware 250LB
PKSC-1616	Soft Close for 1600 Series Track



PK1600 Series Track



PK1625-BB Hardware Set



PKSC1616 Soft Close

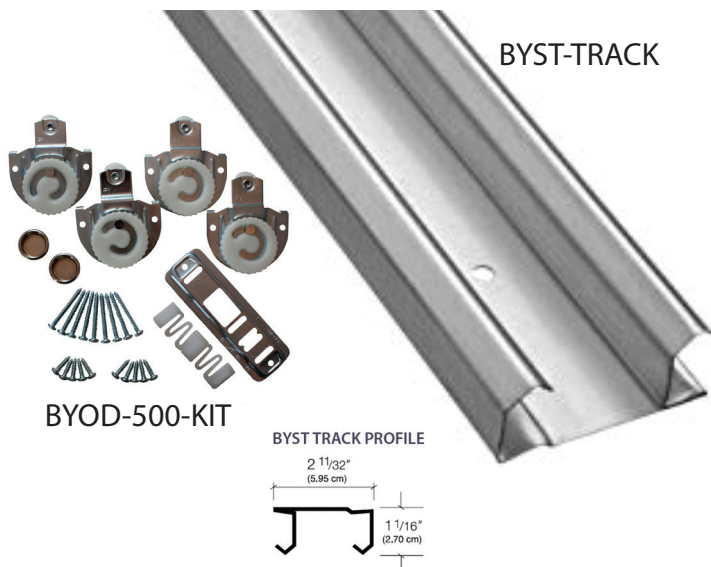
See pages 20 & 21 for specifications and additional parts.

BYPASS DOOR HARDWARE

60 lbs Dial-Adjust Hangers



60 LB. DIAL ADJUST BYPASS



Part Number	Description
-------------	-------------

SLIDING DOOR HARDWARE SETS WITH DIAL-ADJUST HANGERS

BYST-500-48	48" Bypass Door Hardware Complete Kit Dial-Adjust Offset Dials, 60 lbs
BYST-500-60	60" Bypass Door Hardware Complete Kit Dial-Adjust Offset Dials, 60 lbs
BYST-500-72	72" Bypass Door Hardware Complete Kit Dial-Adjust Offset Dials, 60 lbs
BYST-500-96	96" Bypass Door Hardware Complete Kit Dial-Adjust Offset Dials, 60 lbs

SLIDING DOOR BULK TRACK AND DIAL-ADJUST HANGERS

BYST-48-01	48" Bypass Track Only For Either Dial-Adjust or Slot-Adjust Hangers
BYST-60-01	60" Bypass Track Only For Either Dial-Adjust or Slot-Adjust Hangers
BYST-72-01	72" Bypass Track Only For Either Dial-Adjust or Slot-Adjust Hangers
BYST-96-01	96" Bypass Track Only For Either Dial-Adjust or Slot-Adjust Hangers
BYOD-500-KIT	Bypass Door Rollers For 2 Piece Door W/ Floor Guide, 2-7/16" Dials, 2-1/8" Dials
BYOD1-716	Bypass Door Dial-Adjust #1 Hanger Only, Adjustable 7/16"
BYOD2-18	Bypass Door Dial-Adjust #2 Hanger Only, Adjustable 1/8"

SPECIFICATIONS

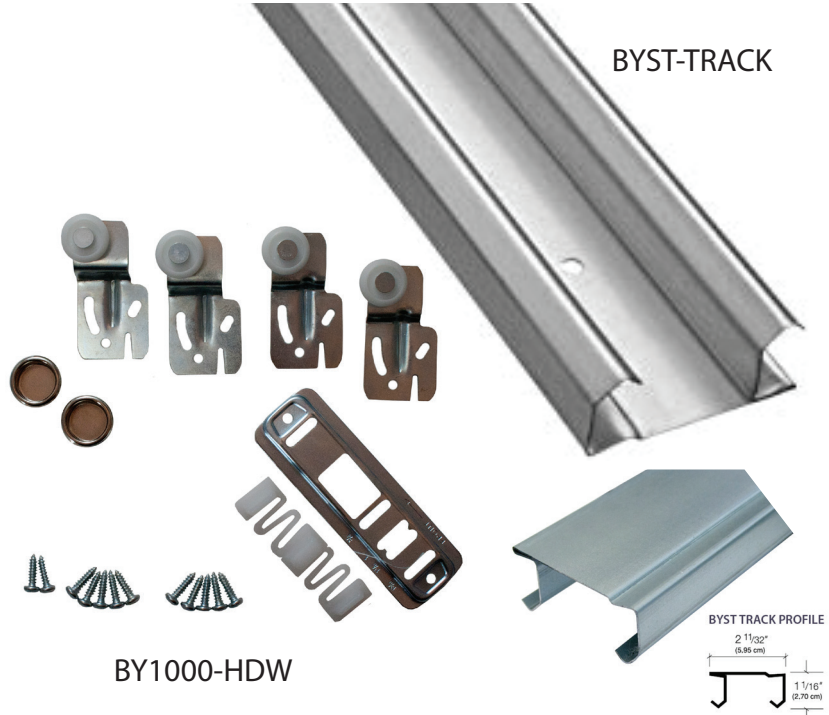
- For two (2) Sliding Closet Doors each with a thickness of 3/4" to 1-3/8" weighing up to 60 lbs. each
- Four (4) Dial-adjust hangers make it easy to adjust height and align doors without use of special tools. Up to 5/16" vertical door adjustment
- Galvanized Steel V-shaped track is jump proof & resists corrosion

See pages 21 for additional specification

BYPASS DOOR HARDWARE

60 lbs Slot-Adjust Hangers

60 LB. SLOT ADJUST BYPASS



BY1000-HDW

Part Number	Description
-------------	-------------

SLIDING DOOR HARDWARE SETS WITH SLOT ADJUST HANGERS

BY1300-48	48" Bypass Door Hardware Complete Kit Slot-Adjust Offset Dials, 60 lbs
BY1300-60	60" Bypass Door Hardware Complete Kit Slot-Adjust Offset Dials, 60 lbs
BY1300-72	72" Bypass Door Hardware Complete Kit Slot-Adjust Offset Dials, 60 lbs

SLIDING DOOR BULK TRACK AND SLOT-ADJUST HANGERS

BYST-48-01	48" Bypass Track Only For Either Dial-Adjust or Slot-Adjust Hangers
BYST-60-01	60" Bypass Track Only For Either Dial-Adjust or Slot-Adjust Hangers
BYST-72-01	72" Bypass Track Only For Either Dial-Adjust or Slot-Adjust Hangers
BYST-96-01	96" Bypass Track Only For Either Dial-Adjust or Slot-Adjust Hangers
BY1000-HDW	Hardware Kit for BYST Track Contains: 2ea 1/4" Offset Rollers & 2ea 1/2" Offset Rollers, Screws, 2ea Finger Pulls, and Floor Guide

SPECIFICATIONS

- For two (2) Sliding Closet Doors each with a thickness of 3/4" to 1-3/8" weighing up to 60 lbs. each
- Four (4) Adjustable hangers make it easy to adjust height and align doors without use of special tools. Up to 5/16" vertical door adjustment
- Galvanized Steel V-shaped track is jump proof & resists corrosion

See pages 21 for additional specification

PARTS & SPECIFICATIONS

Pocket and Bypass Track Hardware

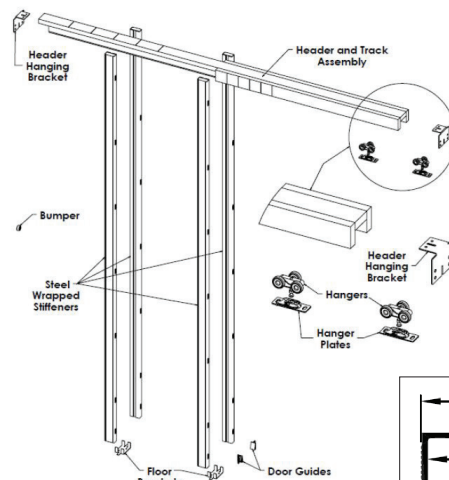
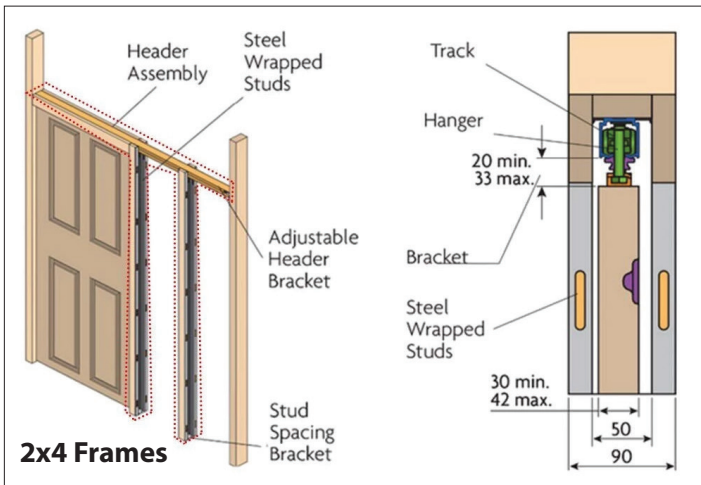


ADDITIONAL COMPONENT PARTS

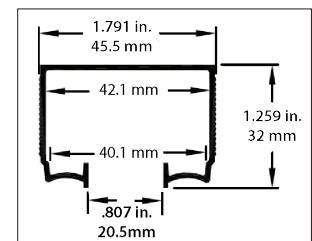
PART NO.	DESCRIPTION	
PK1211-VERG	Converging Door Kit for 1200 Pocket Door Frame	
PK1212-ADT	Door Adaptor Kit for 1 3/4" Door	
PK1213-ADJGD	Bottom Door Guides	
PK1214-STOP	Mill Stops for Converging Door	
PK1215-BUMP	Door Bumper	

PART NO.	DESCRIPTION	
PK1216-WGU	Wall Mounted Adjustable Door Guide; Plastic	
PK1217-FPSN	3/4" Finger Pulls for Bypass Doors; Satin Nickel	
PK1218-GU	Plastic Floor Guide with Screws	
BY-FLGU	Adjustable Floor Guide with Metal Bracket	

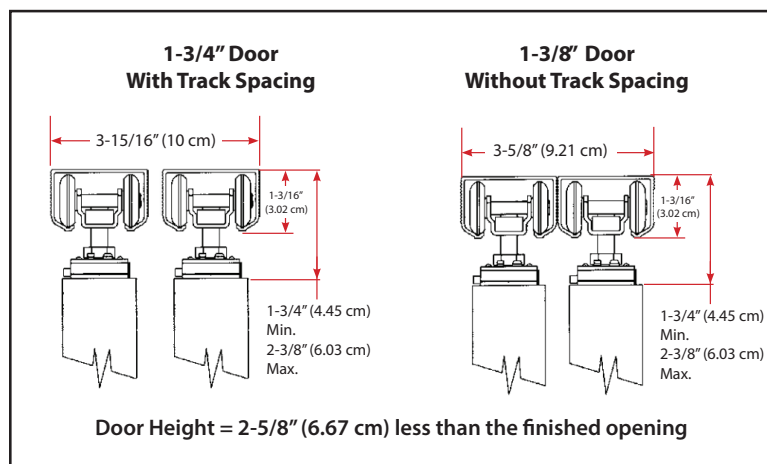
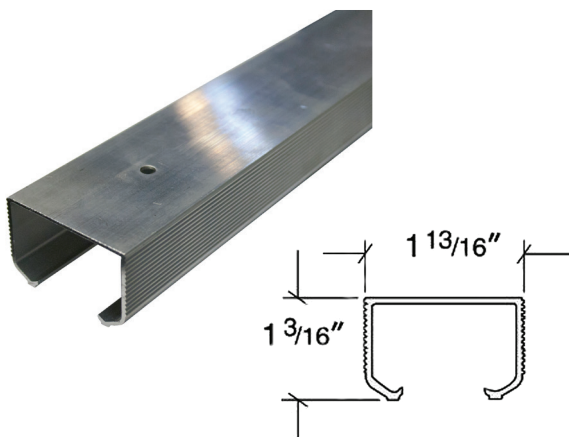
1200 SERIES SPECS



- This Kit Contains:**
- 1 Header and Track Assembly
 - 2 Header Hanging Brackets
 - 4 Steel Wrapped Stiffeners
 - 2 Floor Brackets
 - 1 Hardware Bag Contains
 - 2 3-Wheel Hangers
 - 2 Hanger Plates
 - 2 Door Guides
 - 1 Bumper
 - 1 Wrench
 - Screws



1600 SERIES SPECS

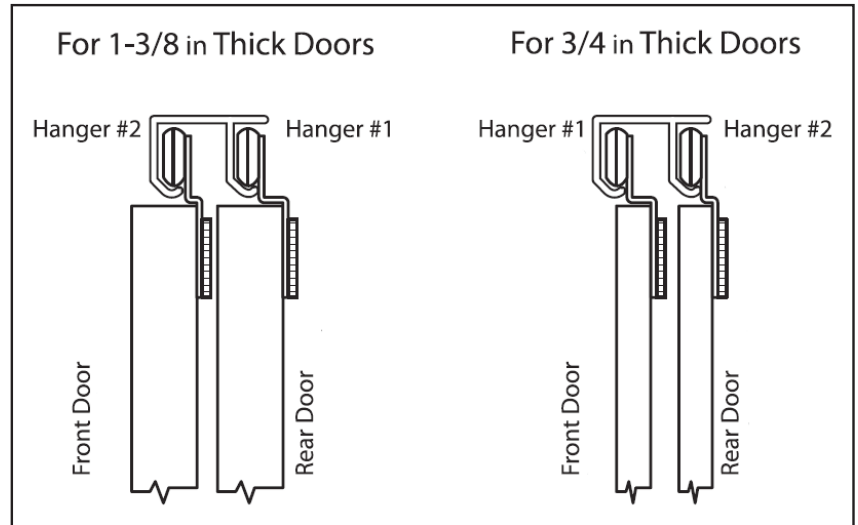


SPECIFICATIONS

- For two (2) Sliding Closet Doors each with a thickness of 3/4" to 1-3/8" weighing up to 60 lbs. each
- Four (4) Dial-adjust hangers make it easy to adjust height and align doors without use of special tools. Up to 5/16" vertical door adjustment
- Galvanized Steel V-shaped track is jump proof & resists corrosion

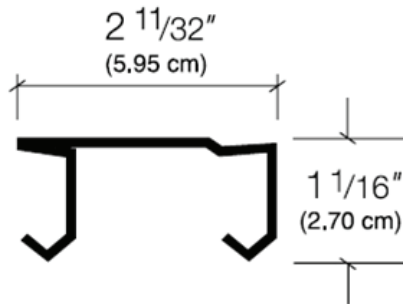
BYST-500 SERIES SPECS

DIAL ADJUST



**BYST Track is used
for both
BYST-500 & BY1300 Series**

BYST TRACK PROFILE

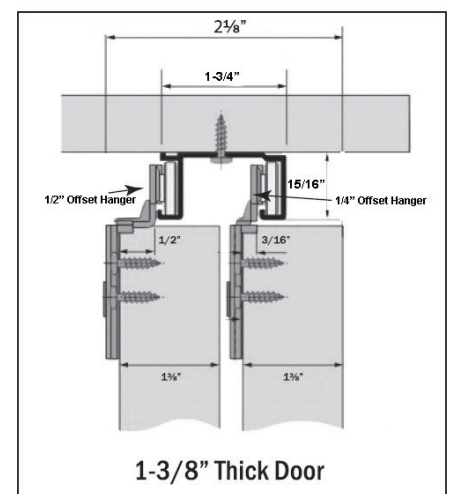
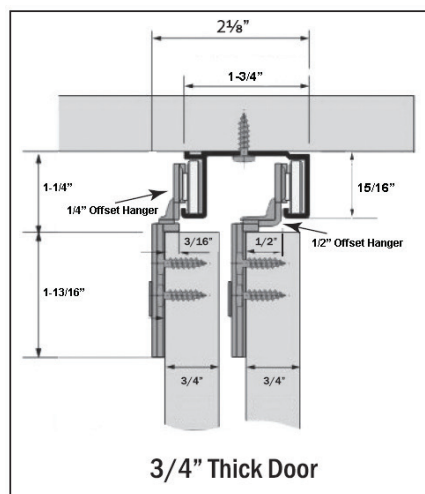


BY1300 SERIES SPECS

SLOT ADJUST

SPECIFICATIONS

- For two (2) Sliding Closet Doors each with a thickness of 3/4" to 1-3/8" weighing up to 60 lbs. each
- Four (4) Adjustable hangers make it easy to adjust height and align doors without use of special tools. Up to 5/16" vertical door adjustment
- Galvanized Steel V-shaped track is jump proof & resists corrosion



BATHROOM ACCESSORIES



ORCA
HARDWARE™

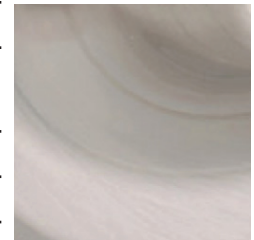




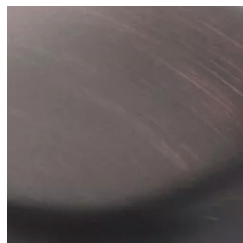
Part No.	Description	Finish
2718CH	18" Towel Bar Set	Polished Chrome
2724CH	24" Towel Bar Set	
2730CH	30" Towel Bar Set	
2752CH	Toilet Paper Holder W/ Plastic Tube	
2753CH	Robe Hook	
2755CH	Euro T/P Holder	
2760CH	Towel Ring	



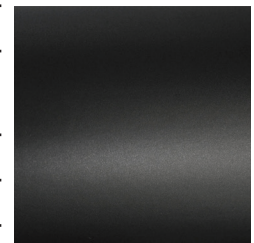
Part No.	Description	Finish
2718SN	18" Towel Bar Set	Satin Nickel
2724SN	24" Towel Bar Set	
2730SN	30" Towel Bar Set	
2752SN	Toilet Paper Holder W/ Plastic Tube	
2753SN	Robe Hook	
2755SN	Euro T/P Holder	
2760SN	Towel Ring	



Part No.	Description	Finish
2718ORB	18" Towel Bar Set	Oil-Rubbed Bronze
2724ORB	24" Towel Bar Set	
2730ORB	30" Towel Bar Set	
2752ORB	Toilet Paper Holder W/ Plastic Tube	
2753ORB	Robe Hook	
2755ORB	Euro T/P Holder	
2760ORB	Towel Ring	


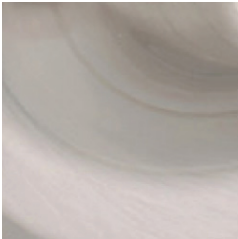



Part No.	Description	Finish
		Matte Black
2724BL	24" Towel Bar Set	
2730BL	30" Towel Bar Set	
2752BL	Toilet Paper Holder W/ Plastic Tube	
2753BL	Robe Hook	
2755BL	Euro T/P Holder	
2760BL	Towel Ring	




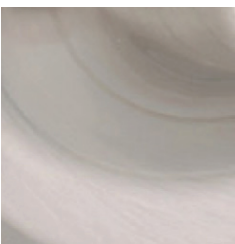

Orca Bath Accessories are polybagged with carded hang tag. 10 each per box.
Cypress rose diameter: 2-1/4"



Part No.	Description	Finish
9118CH	18" Towel Bar Set	Polished Chrome 
9124CH	24" Towel Bar Set	
9130CH	30" Towel Bar Set	
9152CH	Toilet Paper Holder W/ Plastic Tube	
9154CH	Double Robe Hook	
9155CH	Euro T/P Holder	
9160CH	Towel Ring	
9118SN	18" Towel Bar Set	Satin Nickel 
9124SN	24" Towel Bar Set	
9130SN	30" Towel Bar Set	
9152SN	Toilet Paper Holder W/ Plastic Tube	
9154SN	Double Robe Hook	
9155SN	Euro T/P Holder	
9160SN	Towel Ring	
9118ORB	18" Towel Bar Set	Oil-Rubbed Bronze 
9124ORB	24" Towel Bar Set	
9130ORB	30" Towel Bar Set	
9152ORB	Toilet Paper Holder W/ Plastic Tube	
9154ORB	Double Robe Hook	
9155ORB	Euro T/P Holder	
9160ORB	Towel Ring	


Orca Bath Accessories are polybagged with carded hang tag. 10 each per box.
Waldron rose diameter: 2-3/4"

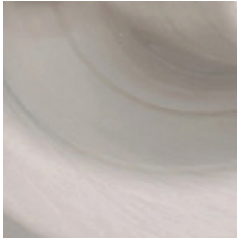



Part No.	Description	Finish
4818CH	18" Towel Bar Set	Polished Chrome 
4824CH	24" Towel Bar Set	
4830CH	30" Towel Bar Set	
4852CH	Toilet Paper Holder W/ Plastic Tube	
4854CH	Double Robe Hook	
4855CH	Euro T/P Holder	
4860CH	Towel Ring	
4818SN	18" Towel Bar Set	Satin Nickel 
4824SN	24" Towel Bar Set	
4830SN	30" Towel Bar Set	
4852SN	Toilet Paper Holder W/ Plastic Tube	
4854SN	Double Robe Hook	
4855SN	Euro T/P Holder	
4860SN	Towel Ring	
4818ORB	18" Towel Bar Set	Oil-Rubbed Bronze 
4824ORB	24" Towel Bar Set	
4830ORB	30" Towel Bar Set	
4852ORB	Toilet Paper Holder W/ Plastic Tube	
4854ORB	Double Robe Hook	
4855ORB	Euro T/P Holder	
4860ORB	Towel Ring	


Orca Bath Accessories are polybagged with carded hang tag. 10 each per box.
Blakely rose diameter: 2-3/4"

COMING SOON

Part No.	Description	Finish
4918CH	18" Towel Bar Set	Polished Chrome 
4924CH	24" Towel Bar Set	
4930CH	30" Towel Bar Set	
4952CH	Toilet Paper Holder W/ Plastic Tube	
4954CH	Double Robe Hook	
4955CH	Euro T/P Holder	
4960CH	Towel Ring	


4918SN	18" Towel Bar Set	Satin Nickel 
4924SN	24" Towel Bar Set	
4930SN	30" Towel Bar Set	
4952SN	Toilet Paper Holder W/ Plastic Tube	
4954SN	Double Robe Hook	
4955SN	Euro T/P Holder	
4960SN	Towel Ring	

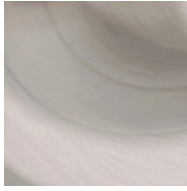
4918ORB	18" Towel Bar Set	Oil-Rubbed Bronze 
4924ORB	24" Towel Bar Set	
4930ORB	30" Towel Bar Set	
4952ORB	Toilet Paper Holder W/ Plastic Tube	
4954ORB	Double Robe Hook	
4955ORB	Euro T/P Holder	
4960ORB	Towel Ring	

4918BL	18" Towel Bar Set	Matte Black 
4924BL	24" Towel Bar Set	
4930BL	30" Towel Bar Set	
4952BL	Toilet Paper Holder W/ Plastic Tube	
4954BL	Double Robe Hook	
4955BL	Euro T/P Holder	
4960BL	Towel Ring	

Orca Bath Accessories are polybagged with carded hang tag. 10 each per box.

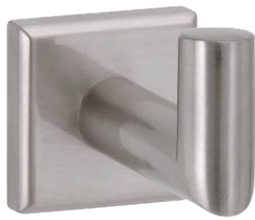



Part No.	Description	Finish
3618CH	18" Chrome Towel Bar	
3624CH	24" Chrome Towel Bar	
3630CH	30" Chrome Towel Bar	
3654CH	Chrome Robe Hook	
3655CH	Euro T/P Holder	
3660CH	Chrome Towel Ring	

3618SN	18" Satin Nickel Towel Bar	
3624SN	24" Satin Nickel Towel Bar	
3630SN	30" Satin Nickel Towel Bar	
3654SN	Satin Nickel Robe Hook	
3655SN	Euro T/P Holder	
3660SN	Satin Nickel Towel Ring	

3618BL	18" Matte Black Towel Bar	
3624BL	24" Matte Black Towel Bar	
3630BL	30" Matte Black Towel Bar	
3654BL	Matte Black Robe Hook	
3655BL	Euro T/P Holder	
3660BL	Matte Black Towel Ring	

Orca Bath Accessories are polybagged with carded hang tag. 10 each per box.
Swirl rose diameter: 1-3/4"



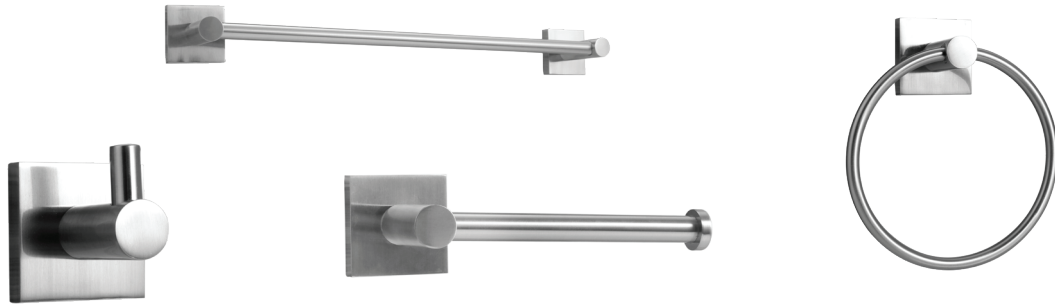
Part No.	Description	Finish
5218CH	18" Chrome Towel Bar	Polished Chrome 
5224CH	24" Chrome Towel Bar	
5230CH	30" Chrome Towel Bar	
5254CH	Chrome Robe Hook	
5255CH	Euro T/P Holder	
5260CH	Chrome Towel Ring	

5218SN	18" Satin Nickel Towel Bar	Satin Nickel 
5224SN	24" Satin Nickel Towel Bar	
5230SN	30" Satin Nickel Towel Bar	
5254SN	Satin Nickel Robe Hook	
5255SN	Euro T/P Holder	
5260SN	Satin Nickel Towel Ring	

Orca Bath Accessories are polybagged with carded hang tag. 10 each per box.
Ripple rose dimensions: 1-5/8" x 1-5/8"

VASHON

COMING Q3-2021



Part No.	Description	Finish
5818CH	18" Chrome Towel Bar	Polished Chrome 
5824CH	24" Chrome Towel Bar	
5830CH	30" Chrome Towel Bar	
5854CH	Chrome Robe Hook	
5855CH	Euro T/P Holder	
5856CH	Curved Euro T/P Holder	
5860CH	Chrome Towel Ring	
5818SN	18" Satin Nickel Towel Bar	Satin Nickel 
5824SN	24" Satin Nickel Towel Bar	
5830SN	30" Satin Nickel Towel Bar	
5854SN	Satin Nickel Robe Hook	
5855SN	Euro T/P Holder	
5856SN	Curved Euro T/P Holder	
5860SN	Satin Nickel Towel Ring	
5818BL	18" Matte Black Towel Bar	Matte Black 
5824BL	24" Matte Black Towel Bar	
5830BL	30" Matte Black Towel Bar	
5854BL	Matte Black Robe Hook	
5855BL	Euro T/P Holder	
5856BL	Curved Euro T/P Holder	
5860BL	Matte Black Towel Ring	

Orca Bath Accessories are polybagged with carded hang tag. 10 each per box.
Vashon rose dimensions: 2-1/4" x 2-1/4"

DOOR HINGES



Finishes



ORCA
HARDWARE®



RESIDENTIAL STEEL HINGES

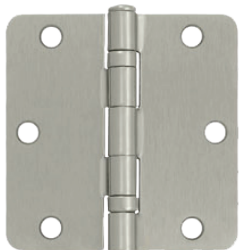


3.5 x 3.5 HINGES Standard 1/4 Radius



Part Number	Finish	Corners
RES3514 US2CD	US2CD	R1/4
RES3514 US3	US3	R1/4
RES3514 US3/4	US3/4	R1/4
RES3514 US5	US5	R1/4
RES3514 US10B	US10B/ORB	R1/4
RES3514 US15	US15/SN	R1/4
RES3514 US26	US26	R1/4
RES3514 US26D	US26D	R1/4
RES3514 US19	US19	R1/4

Ball Bearing 1/4 Radius



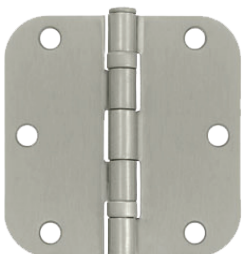
RES3514BB US3	US3	R1/4
RES3514BB US10B	US10B/ORB	R1/4
RES3514BB US15	US15/SN	R1/4
RES3514BB US26	US26	R1/4
RES3514BB US26D	US26D	R1/4
RES3514BB US19	US19	R1/4

Standard 5/8 Radius



RES3558 US2CD	US2CD	R5/8
RES3558 US3	US3	R5/8
RES3558 US3/4	US3/4	R5/8
RES3558 US5	US5	R5/8
RES3558 US10B	US10B/ORB	R5/8
RES3558 US15	US15/SN	R5/8
RES3558 US26	US26	R5/8
RES3558 US26D	US26D	R5/8
RES3558 US19	US19	R5/8

Ball Bearing 5/8 Radius



RES3558BB US3	US3	R5/8
RES3558BB US10B	US10B/ORB	R5/8
RES3558BB US15	US15/SN	R5/8
RES3558BB US26	US26	R5/8
RES3558BB US26D	US26D	R5/8
RES3558BB US19	US19	R5/8

.091" Gauge for both standard & ball bearing 3.5" Hinges

These hinges come with #9 x 3/4" screws. #9 x 1" screws available upon request. Packed 100 hinges per box.

Part Number	Finish	Corners
-------------	--------	---------

4 x 4 HINGES

Standard 1/4 Radius

RES4014 US3	US3	R1/4
RES4014 US34	US3/4	R1/4
RES4014 US5	US5	R1/4
RES4014 US10B	US10B/ORB	R1/4
RES4014 US15	US15/SN	R1/4
RES4014 US26	US26	R1/4
RES4014 US26D	US26D	R1/4
RES4014 US19	US19	R1/4



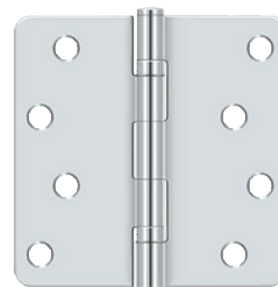
NRP Standard 1/4 Radius

RES4014 NRP US10B	US10B/ORB	R1/4
RES4014 NRP US15	US15	R1/4



Ball Bearing 1/4 Radius

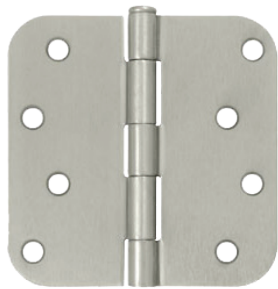
RES4014BB US3	US3	R1/4
RES4014BB US10B	US10B/ORB	R1/4
RES4014BB US15	US15	R1/4
RES4014BB US26	US26	R1/4
RES4014BB US26D	US26D	R1/4
RES4014BB US19	US19	R1/4



.100" Gauge for both standard & ball bearing 4" Hinges
 These hinges come with #9 x 3/4" screws. #9 x 1" screws available upon request.
 Packed 100 hinges per box.

4 X 4 STEEL HINGES

Part Number	Finish	Corners
-------------	--------	---------



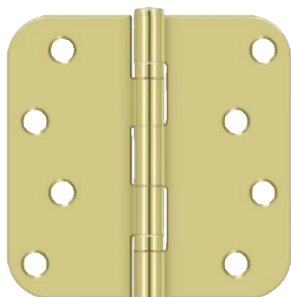
4 x 4 Standard 5/8 Radius

RES4058 US3	US3	R5/8
RES4058 US34	US3/4	R5/8
RES4058 US5	US5	R5/8
RES4058 US10B	US10B/ORB	R5/8
RES4058 US15	US15/SN	R5/8
RES4058 US26	US26	R5/8
RES4058 US26D	US26D	R5/8
RES4058 US19	US19	R5/8



4 x 4 NRP Standard 5/8 Radius

RES4058NRP US10B	US10B/ORB	R5/8
RES4058NRP US15	US15/SN	R5/8
RES4058NRP US26D	US26D	R5/8



4 x 4 Ball Bearing 5/8 Radius

RES4058BB US3	US3	R5/8
RES4058BB US10B	US10B/ORB	R5/8
RES4058BB US15	US15/SN	R5/8
RES4058BB US26	US26	R5/8
RES4058BB US26D	US26D	R5/8
RES4058BB US19	US19	R5/8



4 x 4 NRP Ball Bearing 5/8 Radius

RES4058BBNRP US3	US3	R5/8
RES4058BBNRP US10B	US10B/ORB	R5/8
RES4058BBNRP US15	US15/SN	R5/8

.100" Gauge for both standard & ball bearing 4" Hinges

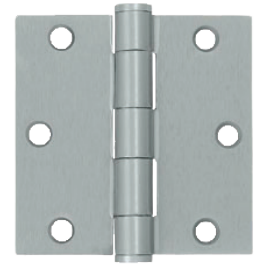
These hinges come with #9 x 3/4" screws.
#9 x 1" screws available upon request.
Packed 100 hinges per box.

3.5 x 3.5 STEEL HINGES

Part Number	Finish	Corners
-------------	--------	---------

3.5 x 3.5 Plain Bearing Commercial SQ

COM3535 US3 3.5 X 3.5	US3	Square
COM3535 ORB (10B) 3.5 X 3.5	US10B/ORB	Square
COM3535 US15 3.5 X 3.5	US15/SN	Square
COM3535 US26 3.5 X 3.5	US26	Square
COM3535 26D 3.5 X 3.5	US26D	Square
COM3535 US19 3.5 X 3.5	US19	Square



3.5 x 3.5 Plain Bearing Commercial 1/4 Radius

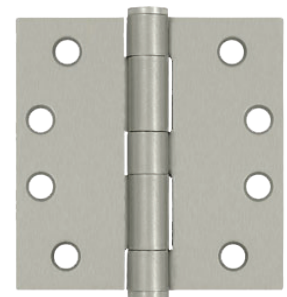
COM3514 US3 3.5 X 3.5	US3	R1/4
COM3514 ORB (10B) 3.5 X 3.5	US10B/ORB	R1/4
COM3514 US15 3.5 X 3.5	US15/SN	R1/4
COM3514 US26 3.5 X 3.5	US26	R1/4
COM3514 26D 3.5 X 3.5	US26D	R1/4
COM3514 US19 3.5 X 3.5	US19	R1/4



4 x 4 STEEL HINGES

4 x 4 Plain Bearing Commercial SQ

COM4040 US3 4 X 4	US3	Square
COM4040 ORB (10B) 4 X 4	US10B/ORB	Square
COM4040 US15 4 X 4	US15/SN	Square
COM4040 26 4 X 4	US26	Square
COM4040 26D 4 X 4	US26D	Square
COM4040 US19 4 X 4	US19	Square



.123" Gauge for standard 3.5" Commercial Hinges

.130" Gauge for standard 4" Commercial Hinges

3.5" x 3.5" hinges come with #10 x 1/2" screws and #10 x 1" wood screws.

4" x 4" hinges come with #12 x 1/2" machine screws and #12 x 1-1/4" wood screws.

Packed 48 hinges per box.

4 x 4 STEEL HINGES

Part Number	Finish	Corners
-------------	--------	---------

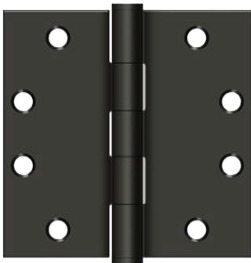
4 x 4 Plain Bearing Commercial 1/4 Radius



COM4014 US3 4 X 4	US3	R1/4
COM4014 ORB (10B) 4 X 4	US10B/ORB	R1/4
COM4014 US15 4 X 4	US15/SN	R1/4
COM4014 26 4 X 4	US26	R1/4
COM4014 26D 4 X 4	US26D	R1/4
COM4014 US19 4 X 4	US19	R1/4

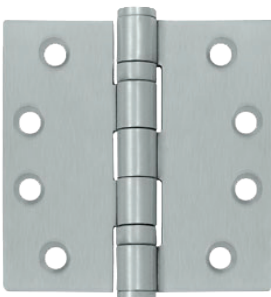
4.5 x 4.5 STEEL HINGES

4.5 x 4.5 Plain Bearing Commercial SQ



COM4545 ORB (10B) 4.5 X 4.5	US10B/ORB	Square
COM4545 26D 4.5 X 4.5	US26D	Square

4.5 x 4.5 Ball Bearing Commercial SQ



COM4545BB ORB (10B) 4.5 X 4.5	US10B/ORB	Square
COM4545BB ORB (10B) 4.5 X 4.5 NRP	US10B/ORB	Square
COM4545BB 26D 4.5 X 4.5	US26D	Square
COM4545BB 26D 4.5 X 4.5 NRP	US26D	Square

.130" Gauge for 4" Commercial Hinges

.134" Gauge for 4.5" Commercial Hinges

4" x 4" hinges come with #12 x 1/2" machine screws and #12 x 1-1/4" wood screws

4.5" x 4.5" hinges come with #12 x 1/2" machine screws and #12 x 1-1/4" wood screws

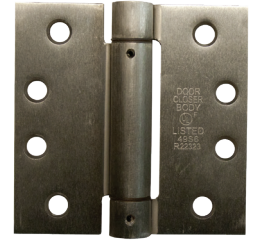
Packed 48 hinges per box.

SPRING HINGES

Part Number	Finish	Corners
-------------	--------	---------

4 x 4 Spring Hinge Square Corner

SPR4040 ORB (10B) 4 X 4	US10B/ORB	Square
SPR4040 US15 4 X 4	US15/SN	Square
SPR4040 US19 4 X 4	US19	Square



4 x 4 Spring Hinge 1/4 Radius

SPR4014 ORB (10B) 4 X 4	US10B/ORB	R1/4
SPR4014 US15 4 X 4	US15/SN	R1/4
SPR4014 26D 4 X 4	US26D	R1/4
SPR4014 US19 4 X 4	US19	R1/4



4 x 4 Spring Hinge 5/8 Radius

SPR4058 ORB (10B) 4 X 4	US10B/ORB	Square
SPR4058 US15 4 X 4	US15/SN	Square
SPR4058 US19 4 X 4	US19	Square



4.5 x 4.5 Spring Hinge Square Corner

SPR4545 ORB (10B) 4.5 X 4.5	US10B/ORB	Square
SPR4545 26D 4.5 X 4.5	US26D	Square



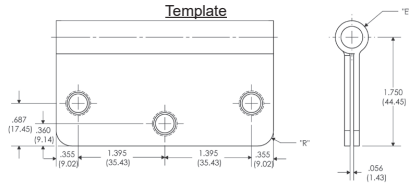
.106" Gauge for 4" Spring Hinge; Supplied with #10 x 1" wood screws and #10 x 1/2" metal screws

.134" Gauge for 4.5" Spring Hinge; Supplied with #12 x 1-1/4" wood screws and #12 x 1/2" metal screws

Packet 48 hinges per box

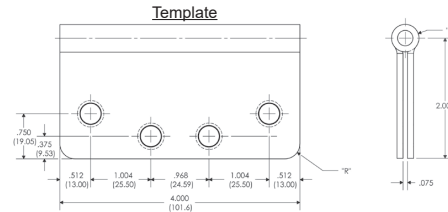
Residential Hinges Templates Not To Scale, for reference only.

3.5 Inch x 3.5 Inch
Full Mortise Standard Weight Hinge Template
Full Mortise Ball Bearing Weight Hinge Template



Part Number			Gauge of Metal	"E" Outside Dia.	"L" Leaf Width	"R" Corner Radius
Steel Square	Steel 1/4" Radius	Steel 5/8" Radius				
RES3535	RES3514	RES3558	.091"	.418"	1.75"	Square, 1/4", 5/8"
RES3535BB	RES3514BB	RES3558BB	.091"	.418"	1.75"	Square, 1/4", 5/8"

4 Inch x 4 Inch
Full Mortise Standard Weight Hinge Template
Full Mortise Ball Bearing Weight Hinge Template



Part Number			Gauge of Metal	"E" Outside Dia.	"L" Leaf Width	"R" Corner Radius
Steel Square	Steel 1/4" Radius	Steel 5/8" Radius				
RES4040	RES4014	RES4058	.100"	.460"	2.00"	Square, 1/4", 5/8"
RES4040BB	RES4014BB	RES4058BB	.100"	.460"	2.00"	Square, 1/4", 5/8"

Commercial Hinges Templates Not To Scale, for reference only.

3.5 Inch x 3.5 Inch
Full Mortise Standard Weight Hinge

4 Inch x 4 Inch
Full Mortise Standard Weight Hinge

4.5 Inch x 4.5 Inch
Full Mortise Standard Weight Hinge

MFG #	Gauge	Outside Dia. "D"	Leaf Width "L"	Swage Line "S"	Corner Radius "R"
COM3535	.123"	.535"	1.75"	1.42"	Square

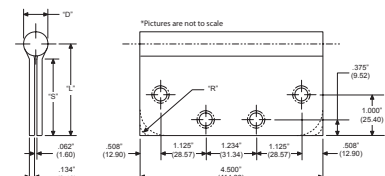
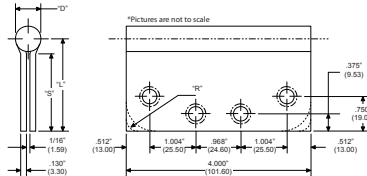
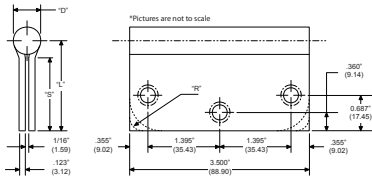
COM3535 hinges come with #10 x 1/2" machine screws and #10 x 1" wood screws.

MFG #	Gauge	Outside Dia. "D"	Leaf Width "L"	Swage Line "S"	Corner Radius "R"
COM4040	.130"	.550"	2.00"	1.67"	Square

COM4040 hinges come with #12 x 1/2" machine screws and #12 x 1-1/4" wood screws.

MFG #	Gauge	Outside Dia. "D"	Leaf Width "L"	Swage Line "S"	Corner Radius "R"
COM4545	.134"	.6"	2.25"	1.88"	Square

COM4545 hinges come with #12 x 1/2" machine screws and #12 x 1-1/4" wood screws.



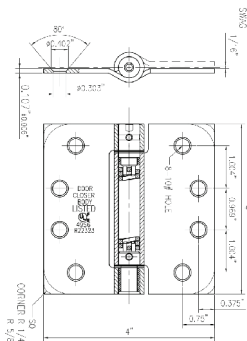
Spring Hinges Templates Not To Scale, for reference only.

4 Inch x 4 Inch
Full Mortise Standard Weight Hinge

4.5 Inch x 4.5 Inch
Full Mortise Standard Weight Hinge

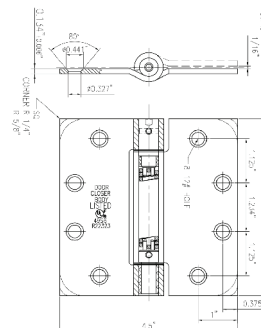
MFG #	Gauge	Outside Dia. "D"	Leaf Width "L"	Swage Line "S"	Corner Radius "R"
SPR4040	.107"	.750"	2.00"	1-1/16"	Square

SPR4040 hinges come with #10 x 1/2" machine screws and #10 x 1" wood screws.



MFG #	Gauge	Outside Dia. "D"	Leaf Width "L"	Swage Line "S"	Corner Radius "R"
SPR4545	.134"	.750"	2.25"	1-1/16"	Square

SPR4545 hinges come with #12 x 1/2" machine screws and #12 x 1-1/4" wood screws.



CABINET HARDWARE

Stainless Steel Bar Pulls

- Solid Stainless Steel
- 12 mm diameter



PART NUMBER	DESCRIPTION	FINISH
CK-10200-SS	Bar T-Pull, Stainless, 2 in. Bar Width	Stainless Steel
CP-10300-SS	Bar Pull, Stainless, 3 in. ctc	Stainless Steel
CP-10096-SS	Bar Pull, Stainless, 96 mm ctc	Stainless Steel
CP-10128-SS	Bar Pull, Stainless, 128 mm ctc	Stainless Steel
CP-10192-SS	Bar Pull, Stainless, 192 mm ctc	Stainless Steel
CP-10256-SS	Bar Pull, Stainless, 256 mm ctc	Stainless Steel



ORCA
HARDWARE™



Steel Bar Pulls

- Solid Steel
- 12 mm diameter



PART NUMBER	DESCRIPTION	FINISH
CK-12001-SN	Bar T-Pull, Steel, 2 in. Bar Width	Satin Nickel
CP-12300-SN	Bar Pull, Steel, 3 in. ctc	Satin Nickel
CP-12096-SN	Bar Pull, Steel, 96 mm ctc	Satin Nickel
CP-12128-SN	Bar Pull, Steel, 128 mm ctc	Satin Nickel
CP-12192-SN	Bar Pull, Steel, 192 mm ctc	Satin Nickel
CP-12256-SN	Bar Pull, Steel, 256 mm ctc	Satin Nickel
CK-12001-ORB	Bar T-Pull, Steel, 2 in. Bar Width	Oil-Rubbed Bronze
CP-12300-ORB	Bar Pull, Steel, 3 in. ctc	Oil-Rubbed Bronze
CP-12096-ORB	Bar Pull, Steel, 96 mm ctc	Oil-Rubbed Bronze
CP-12128-ORB	Bar Pull, Steel, 128 mm ctc	Oil-Rubbed Bronze
CK-12001-BL	Bar T-Pull, Steel, 2 in. Bar Width	Matte Black
CP-12300-BL	Bar Pull, Steel, 3 in. ctc	Matte Black
CP-12096-BL	Bar Pull, Steel, 96 mm ctc	Matte Black
CP-12128-BL	Bar Pull, Steel, 128 mm ctc	Matte Black



Wire Pulls

- Solid Steel
- 8 mm diameter



PART NUMBER	DESCRIPTION	FINISH
CP-13300-SC	Wire Pull, Steel, 3 in. ctc	Satin Chrome
CP-13350-SC	Wire Pull, Steel, 3.5 in. ctc	Satin Chrome
CP-13096-SC	Wire Pull, Steel, 96 mm. ctc	Satin Chrome
CP-13400-SC	Wire Pull, Steel, 4 in. ctc	Satin Chrome

Bachelor Collection



PART NUMBER	DESCRIPTION	FINISH
CK-14025-SN	Kerri Knob, 25 mm dia.	Satin Nickel



CK-15030-ORB	Round Knob, 1-1/4 in. dia.	Oil-Rubbed Bronze
CK-15030-BL	Round Knob, 1-1/4 in. dia.	Matte Black
CK-15030-SN	Round Knob, 1-1/4 in. dia.	Satin Nickel
CK-15030-SC	Round Knob, 1-1/4 in. dia.	Satin Chrome
CK-15030-PC	Round Knob, 1-1/4 in. dia.	Polished Chrome



CK-16030-ORB	Round Ring Knob, 1-1/4 in. dia.	Oil-Rubbed Bronze
CK-16030-SN	Round Ring Knob, 1-1/4 in. dia.	Satin Nickel



CP-15096-ORB	Preston Pull, 96 mm ctc	Oil-Rubbed Bronze
CP-15096-SN	Preston Pull, 96 mm ctc	Satin Nickel
CP-15096-BL	Preston Pull, 96 mm ctc	Matte Black



CP-44300-SN	Cup Pull, 3" ctc	Satin Nickel
-------------	------------------	--------------



Mission Collection



PART NUMBER	DESCRIPTION	FINISH
CP-18096-ORB	Mission Pull, 96 mm ctc	Oil-Rubbed Bronze
CP-18128-ORB	Mission Pull, 128 mm ctc	Oil-Rubbed Bronze
CP-18160-ORB	Mission Pull, 160 mm ctc	Oil-Rubbed Bronze
CK-18032-ORB	Mission Knob, 32 mm dia.	Oil-Rubbed Bronze
CP-18096-BL	Mission Pull, 96 mm ctc	Matte Black
CP-18128-BL	Mission Pull, 128 mm ctc	Matte Black
CP-18160-BL	Mission Pull, 160 mm ctc	Matte Black
CK-18032-BL	Mission Knob, 32 mm dia.	Matte Black
CP-18096-SN	Mission Pull, 96 mm ctc	Satin Nickel
CP-18128-SN	Mission Pull, 128 mm ctc	Satin Nickel
CP-18160-SN	Mission Pull, 160 mm ctc	Satin Nickel
CK-18032-SN	Mission Knob, 32 mm dia.	Satin Nickel

Blackcomb Collection



PART NUMBER	DESCRIPTION	FINISH
CP-17096-BL	Blackcomb Pull, 96 mm ctc	Matte Black
CP-17128-BL	Blackcomb Pull, 128 mm ctc	Matte Black
CP-17160-BL	Blackcomb Pull, 160 mm ctc	Matte Black
CK-17025-BL	Blackcomb Square Knob, 25 mm dia.	Matte Black
CP-17096-SN	Blackcomb Pull, 96 mm ctc	Satin Nickel
CP-17128-SN	Blackcomb Pull, 128 mm ctc	Satin Nickel
CP-17160-SN	Blackcomb Pull, 160 mm ctc	Satin Nickel
CK-17025-SN	Blackcomb Square Knob, 25 mm dia.	Satin Nickel

DOOR TRIM & ACCESSORIES

Hinge Pin Stops

PART NUMBER	Description	Finish
TH-HPST-BL	Hinge Pin Stop, w/ Black Tip	Black
TH-HPST-10B	Hinge Pin Stop, w/ Black Tip	Oil-Rubbed Bronze
TH-HPST-US15	Hinge Pin Stop, w/ White Tip	Satin Nickel
TH-HPST-26	Hinge Pin Stop, w/ White Tip	Polished Chrome
TH-HPHD-BL	HD Hinge Pin Stop, w/ Black Tip	Black
TH-HPHD-10B	HD Hinge Pin Stop, w/ Black Tip	Oil-Rubbed Bronze
TH-HPHD-US15	HD Hinge Pin Stop, w/ White Tip	Satin Nickel
TH-HPHD-26	HD Hinge Pin Stop, w/ White Tip	Polished Chrome
TH-HPDS-BL	Hinge Pin Door Stop, w/ Black Tip	Black
TH-HPDS-10B	Hinge Pin Door Stop, w/ Black Tip	Oil-Rubbed Bronze
TH-HPDS-US15	Hinge Pin Door Stop, w/ White Tip	Satin Nickel
TH-HPDS-26	Hinge Pin Door Stop, w/ White Tip	Polished Chrome



TH-HPST



TH-HPHD



TH-HPST

Zinc Alloy
Polybagged, 100/box for TH-HPST & TH-HPHD. 50/box for THHPDS.

Spring Stops

PART NUMBER	Description	Finish
TH-3118-BL	Spring Stop, 3-1/8 In., w/ Black Tip	Black
TH-3118-10B	Spring Stop, 3-1/8 In., w/ Black Tip	Oil-Rubbed Bronze
TH-3118-US15	Spring Stop, 3-1/8 In., w/ White Tip	Satin Nickel
TH-3118-26	Spring Stop, 3-1/8 In., w/ White Tip	Polished Chrome
TH-3134-BL	Spring Stop, 3-3/4 In., w/ Black Tip	Black
TH-3134-10B	Spring Stop, 3-3/4 In., w/ Black Tip	Oil-Rubbed Bronze
TH-3134-US15	Spring Stop, 3-3/4 In., w/ White Tip	Satin Nickel
TH-3134-26	Spring Stop, 3-3/4 In., w/ White Tip	Polished Chrome



TH-3118



TH-3134

Zinc Alloy
Polybagged, 100/box

Solid Stops



TH-30HD

PART NUMBER	Description	Finish
TH-30HD-BL	Rigid Door Stop, HD, w/ Black Tip	Black
TH-30HD-10B	Rigid Door Stop, HD, w/ Black Tip	Oil-Rubbed Bronze
TH-30HD-US15	Rigid Door Stop, HD, w/ Gray Tip	Satin Nickel
TH-30HD-26	Rigid Door Stop, HD, w/ Gray Tip	Polished Chrome

Brass
3-1/4" long
Polybagged, 10 per box

Ball Catches, Drive in w/ Radius Strike



TH-70DR

PART NUMBER	Description	Finish
TH-70DR-BL	Ball Catch, Drive In Style	Black
TH-70DR-10B	Ball Catch, Drive In Style	Oil-Rubbed Bronze
TH-70DR-US15	Ball Catch, Drive In Style	Satin Nickel
TH-70DR-26	Ball Catch, Drive In Style	Polished Chrome

Zinc Alloy + Steel
Polybagged, 50 per box

Flush Bolts with Radius Corner



TH-86SQ

PART NUMBER	Description	Finish
TH-86SQ-10B	6 In. Flush Bolt, Radius Corner	Oil-Rubbed Bronze
TH-86SQ-US15	6 In. Flush Bolt, Radius Corner	Satin Nickel

Brass
Polybagged, 10 per box

Pocket Door Locks

PART NUMBER	Description	Finish
TH-SQPK-S-US15	Pocket Door Passage Lock	Satin Nickel
TH-SQPK-S-10B	Pocket Door Passage Lock	Oil-Rubbed Bronze
TH-SQPK-S-26	Pocket Door Passage Lock	Polished Chrome
TH-SQPK-S-BL	Pocket Door Passage Lock	Black
TH-SQPK-V-US15	Pocket Door Privacy Lock	Satin Nickel
TH-SQPK-V-10B	Pocket Door Privacy Lock	Oil-Rubbed Bronze
TH-SQPK-V-26	Pocket Door Privacy Lock	Polished Chrome
TH-SQPK-V-BL	Pocket Door Privacy Lock	Black



Brass
2-3/4" x 2-1/2" x 1-3/8"
Polybagged, 10 per box

Flush Pulls

PART NUMBER	Description	Finish
TH-FPULL-15	2-1/8" Round Flush Pull	Satin Nickel
TH-FPULL-ORB	2-1/8" Round Flush Pull	Oil-Rubbed Bronze
TH-FPULL-26	2-1/8" Round Flush Pull	Polished Chrome
TH-FPULL-26D	2-1/8" Round Flush Pull	Brushed Chrome
TH-FPULL-BL	2-1/8" Round Flush Pull	Black



Handrail Brackets



PART NUMBER	Description	Finish
TH-10ST-BL	Handrail Bracket	Black
TH-10ST-10B	Handrail Bracket	Oil-Rubbed Bronze
TH-10ST-US15	Handrail Bracket	Satin Nickel
TH-10ST-26	Handrail Bracket	Polished Chrome
TH-10HD-BL	HD Handrail Bracket	Black
TH-10HD-10B	HD Handrail Bracket	Oil-Rubbed Bronze
TH-10HD-US15	HD Handrail Bracket	Satin Nickel
TH-10HD-26	HD Handrail Bracket	Polished Chrome
TH-10XL-BL	HD Handrail Bracket, Round Base	Black
TH-10XL-10B	HD Handrail Bracket, Round Base	Oil-Rubbed Bronze
TH-10XL-US15	HD Handrail Bracket, Round Base	Satin Nickel
TH-10XL-26	HD Handrail Bracket, Round Base	Polished Chrome
TH-10XL-26D	HD Handrail Bracket, Round Base	Brushed Chrome

Handrail Brackets: Zinc Alloy
Polybagged. Standard: 50/box. Round: 10/box.

Floor Stops & Kick Down Holders

PART NUMBER	Description	Finish
TH-23LP-US15	Floor Dome Stop, Low Rise, w/ Gray Tip	Satin Nickel
TH-23LP-10B	Floor Dome Stop, Low Rise, w/ Black Tip	Oil-Rubbed Bronze
TH-23LP-26D	Floor Dome Stop, Low Rise, w/ Gray Tip	Brushed Chrome
TH-22HD-10B	Floor Goose Neck, w/ Black Tip	Oil-Rubbed Bronze
TH-22HD-26D	Floor Goose Neck, w/Gray Tip	Brushed Chrome
TH-40ST-US15	Kick Down Stop, 5.275 In., w/ Gray Tip	Satin Nickel
TH-40ST-10B	Kick Down Stop, 5.275 In., w/ Black Tip	Oil-Rubbed Bronze
TH-40ST-26D	Kick Down Stop, 5.275 In., w/ Black Tip	Brushed Chrome



TH-23LP



TH-22HD



TH-40ST

Dome & Goose Neck Stop: Brass
Kick Down Stop: Zinc Alloy

COMMERCIAL LOCKS



ORCA
HARDWARE™





MEDIUM DUTY COMMERCIAL CYLINDRICAL LOCK

CAPTAIN

Commercial Lock for use in

1. Office Building
2. Shopping Center
3. Mixed-use Buildings
4. Multi-family Residences



Key-in-lever cylindrical locksets meet the following requirements:

All locks meet ANSI/BHMA A156.2, Series 4000, Grade 2 test requirements for key-in-lever locksets. UL listed 3 hour A Label.

Individual Heavy-duty springs for lever return and to prevent lever sag. Through-bolted trim. 3-5/8" diameter roses.

All lever designs are solid (no inserts) and meet federal ADA and state disability requirements.

Adjusts to fit door thickness from 1-3/8" to 1-3/4".

Non-handed and do not require field disassembly for rehanding.

Standard Lock Comes with:

- 2-3/4" backset
- ASA Strike
- C-keyway*
- 6-pin brass cylinder*
- 2 keys per lockset*
- Optional 2-3/8" backset available



*SFIC comes less core and is compatible with 6 or 7 pin Best small format cores.

	Part Number	Function	Core
Brushed Chrome	OCL210PA26DCAP 26D	Passage	N/A
	OCL240PR26DCAP 26D	Privacy	N/A
	OCL250SC26DCAP 26D	Entrance	Standard
	OCL270SC26DCAP 26D	Classroom	Standard
	OCL280SC26DCAP 26D	Storeroom	Standard
	OCL250IC26DCAP 26D	Entrance	SFIC (Less Core)
	OCL270IC26DCAP 26D	Classroom	SFIC (Less Core)
	OCL280IC26DCAP 26D	Storeroom	SFIC (Less Core)
	OCL2170DU26D 26D	Dummy	N/A
Oil-Rubbed Bronze	OCL210PA10BCAP 10B	Passage	N/A
	OCL240PR10BCAP 10B	Privacy	N/A
	OCL250SC10BCAP 10B	Entrance	Standard
	OCL270SC10BCAP 10B	Classroom	Standard
	OCL280SC10BCAP 10B	Storeroom	Standard
	OCL250IC10BCAP 10B	Entrance	SFIC (Less Core)
	OCL270IC10BCAP 10B	Classroom	SFIC (Less Core)
	OCL280IC10BCAP 10B	Storeroom	SFIC (Less Core)
	OCL2170DU10BCAP 10B	Dummy	N/A



MEDIUM DUTY COMMERCIAL CYLINDRICAL LOCK

ADMIRAL

Commercial Lock for use in

1. Office Building
2. Shopping Center
3. Mixed-use Buildings
4. Multi-family Residences



Standard

Key-in-lever cylindrical locksets meet the following requirements:

All locks meet ANSI/BHMA A156.2, Series 4000, Grade 2 test requirements for key-in-lever locksets. UL listed 3 hour A Label.

Individual Heavy-duty springs for lever return and to prevent lever sag. Through-bolted trim. 3-5/8" diameter roses.

All lever designs are solid (no inserts) and meet federal ADA and state disability requirements. Adjusts to fit door thickness from 1-3/8" to 1-3/4".

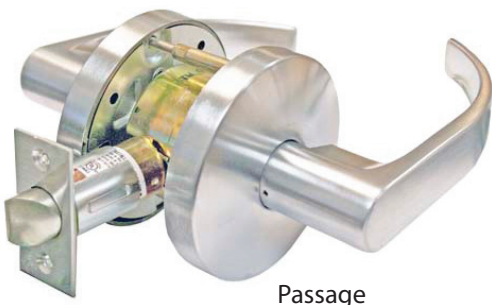
Non-handed and do not require field disassembly for rehanding.

Standard Lock Comes with:

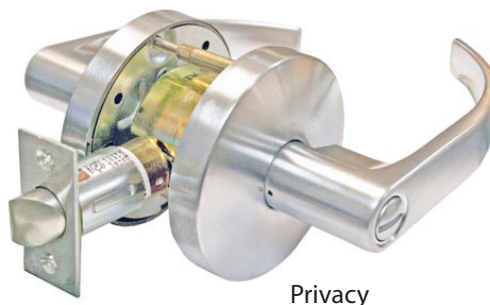
- 2-3/4" backset
- ASA Strike
- C-keyway*
- 6-pin brass cylinder*
- 2 keys per lockset*
- Optional 2-3/8" backset available

*SFIC comes less core and is compatible with 6 or 7 pin Best small format cores.

	Part Number	Function	Core
Brushed Chrome	OCL210PA26DADM 26D	Passage	N/A
	OCL240PR26DADM 26D	Privacy	N/A
	OCL250SC26DADM 26D	Entrance	Standard
	OCL270SC26DADM 26D	Classroom	Standard
	OCL280SC26DADM 26D	Storeroom	Standard
	OCL250IC26DADM 26D	Entrance	SFIC (Less Core)
	OCL270IC26DADM 26D	Classroom	SFIC (Less Core)
	OCL280IC26DADM 26D	Storeroom	SFIC (Less Core)
	OCL2170DU26DADM 26D	Dummy	N/A



Passage



Privacy



SFIC

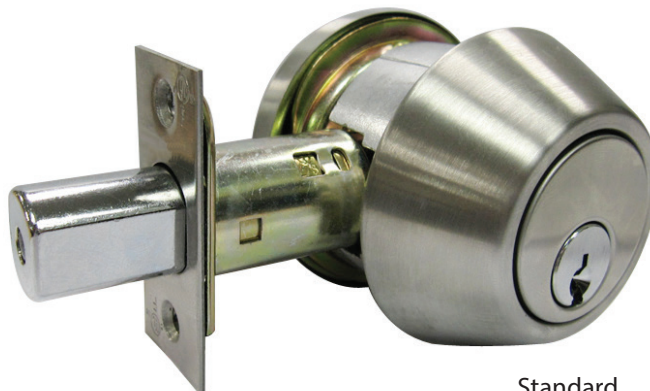


MEDIUM DUTY COMMERCIAL DEADBOLT

DEADBOLT

Commercial Deadbolt for use in:

1. Office Buildings
2. Shopping Centers
3. Mixed-use Buildings
4. Multi-family Residences



Standard

Commercial Deadbolts meet the following requirements:

All deadbolts meet ANSI Grade 2 test requirements.

UL listed 3 hour fire rated latch.

Anti-pry shield and anti-drill cylinder shield.

Fits 2-1/8" bore hole.

Standard Deadbolt Comes with:

Adjustable 2-3/8" to 2-3/4" backset

Square corner strike

C-keyway (SFIC comes less core)

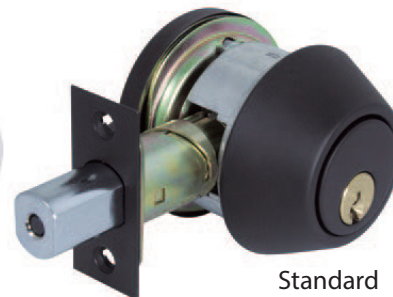
6-pin brass cylinder (SFIC deadbolts are compatible with 6 or 7 pin Best small format cores)

2 keys per lockset (SFIC does not come with keys)

Adjusts to fit door thickness from 1-3/8" to 1-3/4" (SFIC adjusts to fit 1-9/16" to 2" thick doors)



SFIC



Standard

Part Number	Function	Core	Finish
ODB3601CSC26D	Single Cylinder	Standard	Brushed Chrome
ODB3601CIC26D	Single Cylinder	SFIC (Less Core)	Brushed Chrome
ODB3601CSC10B	Single Cylinder	Standard	Oil-Rubbed Bronze
ODB3601CIC10B	Single Cylinder	SFIC (Less Core)	Oil-Rubbed Bronze



COMMERCIAL LOCKS ADDITIONAL PARTS

Part Number	Backset	Size	Finish
-------------	---------	------	--------

KEYED LEVER LOCK DEADLATCH

ENDL23410021410B	2-3/4"	1" x 2-1/4"	Oil-Rubbed Bronze
ENDL23410021426D			Satin Chrome
ENDL23411821410B		1-1/8" x 2-1/4"	Oil-Rubbed Bronze
ENDL23411821426D			Satin Chrome
ENDL23810021410B	2-3/8"	1" x 2-1/4"	Oil-Rubbed Bronze
ENDL23810021426D			Satin Chrome
ENDL23811821410B		1-1/8" x 2-1/4"	Oil-Rubbed Bronze
ENDL23811821426D			Satin Chrome



PRIVACY SPRINGLATCH

PRSL23410021410B	2-3/4"	1" x 2-1/4"	Oil-Rubbed Bronze
PRSL23410021426D			Satin Chrome
PRSL23411821410B		1-1/8" x 2-1/4"	Oil-Rubbed Bronze
PRSL23411821426D			Satin Chrome
PRSL23810021410B	2-3/8"	1" x 2-1/4"	Oil-Rubbed Bronze
PRSL23810021426D			Satin Chrome
PRSL23811821410B		1-1/8" x 2-1/4"	Oil-Rubbed Bronze
PRSL23811821426D			Satin Chrome



PASSAGE SPRINGLATCH

PASL23410021410B	2-3/4"	1" x 2-1/4"	Oil-Rubbed Bronze
PASL23410021426D			Satin Chrome
PASL23411821410B		1-1/8" x 2-1/4"	Oil-Rubbed Bronze
PASL23411821426D			Satin Chrome
PASL23810021410B	2-3/8"	1" x 2-1/4"	Oil-Rubbed Bronze
PASL23810021426D			Satin Chrome
PASL23811821410B		1-1/8" x 2-1/4"	Oil-Rubbed Bronze
PASL23811821426D			Satin Chrome



STRIKES

OCLASA10B	ASA STRIKE	1-1/4" x 4-7/8"	Oil-Rubbed Bronze
OCLASA32D	ASA STRIKE		Satin Stainless
OCLTSK10B	T STRIKE	1-1/8" x 2-3/4"	Oil-Rubbed Bronze
OCLTSK32D	T STRIKE		Satin Stainless

EXIT DEVICES

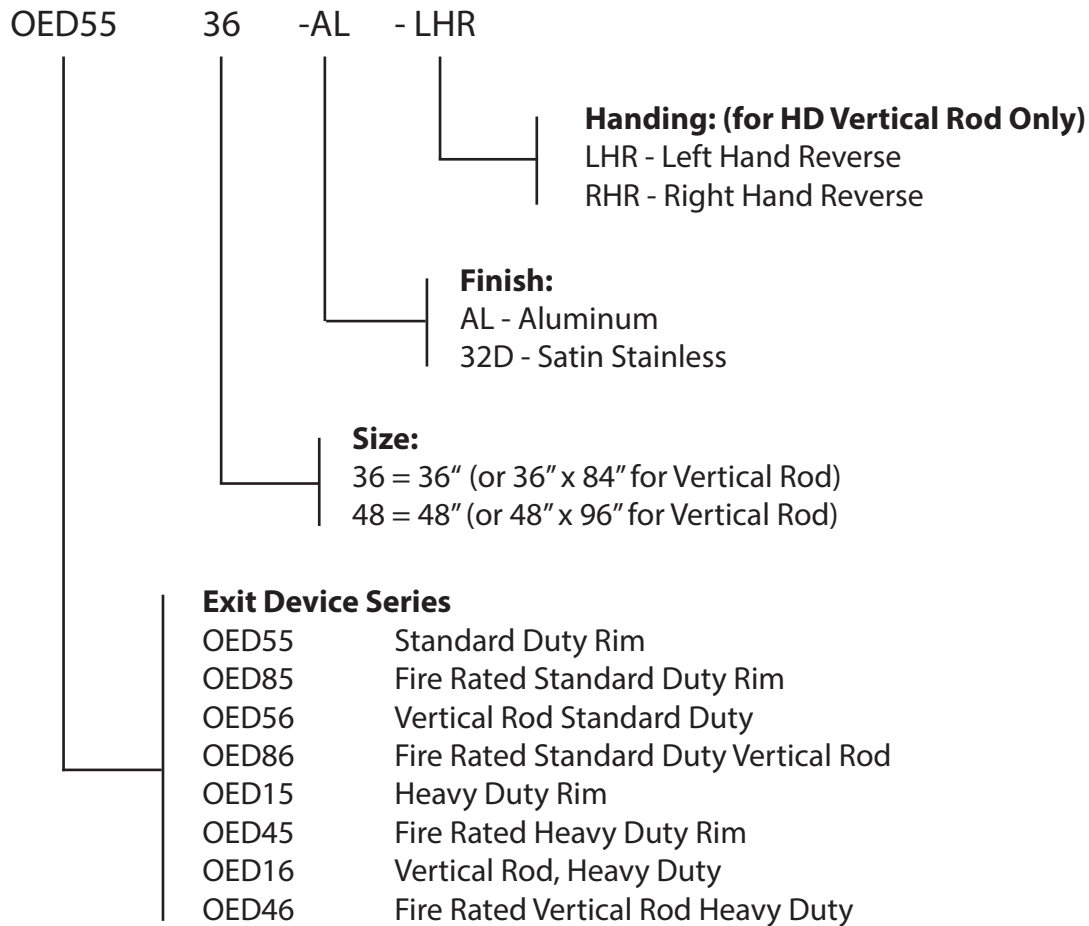


ORCA
HARDWARE™



HOW TO ORDER

Product Identification





RIM EXIT DEVICE

UL LISTED PANIC HARDWARE

RIM TYPE FIRE-RATED RIM

OED5500

Rim Type Exit Devices

OED8500

Fire Rated Rim Type Exit Devices



ANSI A156.3, Grade 1

Standard Features

- For use in institutions, schools, universities, commercial buildings
- Chassis mounted unit construction
- Minimum stile: 4-1/2"
- Standard door thickness 1-3/4"
- For all doors up to 36" or 48"
- Universal design retrofits on Von Duprin 99 series & Sargent 88 Series
- Material: Cap and rail are made of brass, stainless steel or steel
- 161 ANSI cutout
- Mounting: Furnished with wood & machine screws.
- Thru-bolts: Standard on fire rated devices
- Non Handed
- Latch Bolt: Stainless Steel 3/4"
- Available with outside trim, sold separately
- Available Finish: Aluminum

Specifications

- All exit device shall be of touch bar design with smooth operation & be operative over 2/3 of the door's clear opening width
- All exit devices must be listed under "Panic Hardware" in the Accident Equipment List of Underwriter's Laboratories, Inc. Where labeled doors are used as exits, they must be equipped with labeled Fire Exit Hardware and UL 10C, UBC7-2-1997 codes.
- All exit devices shall be of chassis mounted unit construction.

Code Compliance

- ANSI A165.3, Grade 1
- UL listed for Panic and UL 10C, UBC 7-2-1997 codes
- UL listed for Fire Exit Hardware 3 Hours
- A) Label rating on pairs of doors up to 8'0" x 8'0" swinging in same or opposite directions.

Part Number	Type	Length	Fire Rating
OED5536-AL		36"	N/A
OED5548-AL	Rim, Exit Only	48"	N/A
OED8536-AL		36"	3 Hour Rated
OED8548-AL		48"	3 Hour Rated





VERTICAL ROD EXIT DEVICE UL LISTED PANIC HARDWARE

VERTICAL ROD

FIRE-RATED VR

OED5600

Vertical Rod Type Exit Devices,
Less Bottom Rod

ANSI A156.3, Grade 1

OED8600

Fire Rated VR Type Exit Devices,
Less Bottom Rod

Standard Features

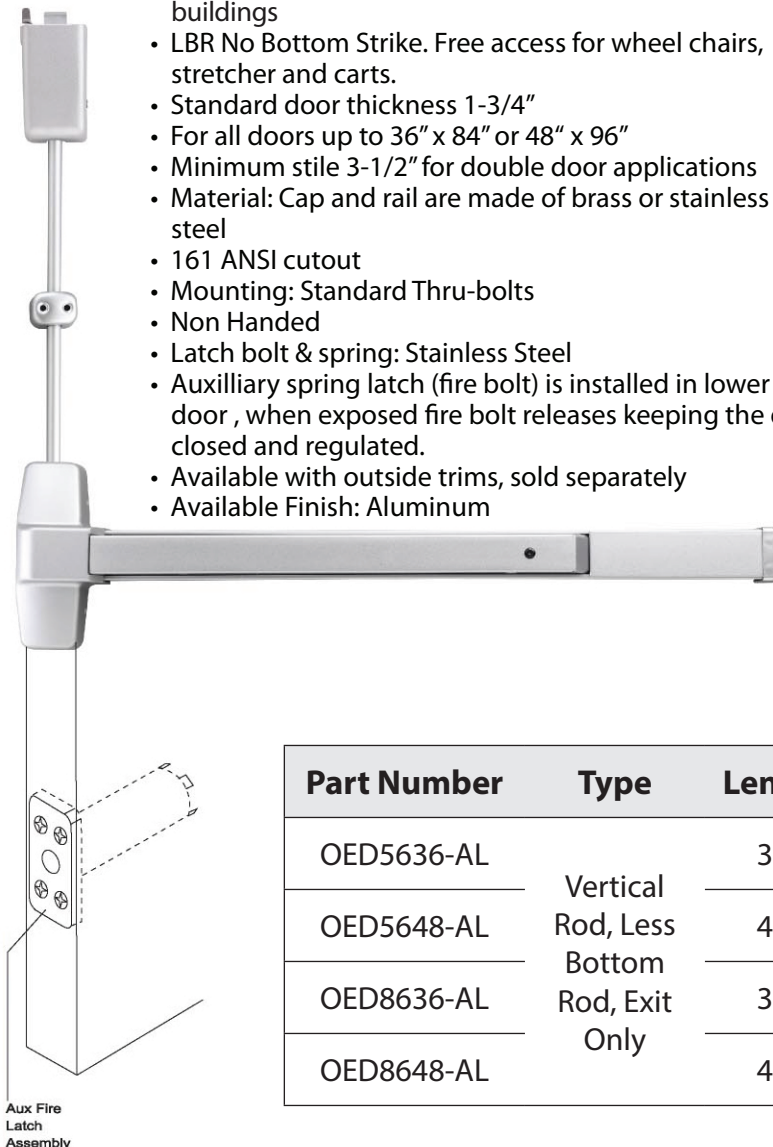
- For use in institutions, schools, universities, commercial buildings
- LBR No Bottom Strike. Free access for wheel chairs, stretcher and carts.
- Standard door thickness 1-3/4"
- For all doors up to 36" x 84" or 48" x 96"
- Minimum stile 3-1/2" for double door applications
- Material: Cap and rail are made of brass or stainless steel or steel
- 161 ANSI cutout
- Mounting: Standard Thru-bolts
- Non Handed
- Latch bolt & spring: Stainless Steel
- Auxilliary spring latch (fire bolt) is installed in lower edge of door , when exposed fire bolt releases keeping the door closed and regulated.
- Available with outside trims, sold separately
- Available Finish: Aluminum

Specifications

- All exit device shall be of touch bar design with smooth operation & be operative over 2/3 of the door's clear opening width
- All exit devices must be listed under "Panic Hardware" in the Accident Equipment List of Underwriter's Laboratories, Inc. Where labeled doors are used as exits, they must be equipped with labeled Fire Exit Hardware and UL 10C, UBC7-2-1997 codes.
- All exit devices shall be of chassis mounted unit construction.

Code Compliance

- ANSI A165.3, Grade 1
- UL and ULC listed. LBR series for fire exit hardware for all types of 8' x 8' double doors including double egress for up to 3 hours metal. 1-1/2 hour wood doors fire labeled installations. Conforms to standard UL 10C, UBC 7-2-1997 codes



Aux Fire Latch Assembly

Part Number	Type	Length	Fire Rating
OED5636-AL	Vertical Rod, Less Bottom	36"	N/A
OED5648-AL		48"	N/A
OED8636-AL	Rod, Exit Only	36"	3 Hour Rated
OED8648-AL		48"	3 Hour Rated





TRIM FOR STANDARD DUTY EXIT DEVICES

OED5500, OED5600, OED8500 & OED8600

TRIM



OED8000L
OED8000S



OED8000P

Part Number	Description
OED8000NL-32D	Wing Pull
OED8000PK-32D	Pull Trim w/ Key, Grade 1, ANSI function 03/04
OED8000L-26D	Keyed Lever for all 5500/8500 Series Devices
OED8000S-26D	Storeroom Lever for all 5500/8500 Series Devices
OED8000P-26D	Passage Lever for all 5500/8500 Series Devices
OED245-AL	254 Overlapping Strike for all 5500/8500 Devices



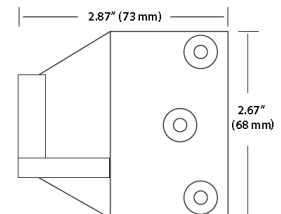
OED8000NL



OED8000PK
14-5/16" x 2-5/8"

OED245-AL

Overlapping Strike for Double Door
Use in 5500/8500 Series





HEAVY DUTY PANIC EXIT DEVICES, UL LISTED

RIM TYPE

OED1500 / OED4500

Rim Type Exit Devices

VERTICAL ROD

OED1600 / OED4600

Vertical Rod Exit Devices



ANSI A156.3, Grade 1

Features & Construction

- ◆ For use in institutions, schools, universities, commercial buildings where heavy duty reliable operation is a requirement.
- ◆ ANSI A156.3, Grade 1 heavy duty exit device in surface vertical rod and rim designs.
- ◆ Rail assemblies are heavy duty extruded aluminum body with stainless steel push pad and end caps are made of brass, bronze or stainless steel. Rail travels in direction of the door swing.
- ◆ Trims are thru bolted for additional security.
- ◆ Conforms & Meets ADA Regulations.
- ◆ UL Listed for Panic and UL 10C, UBC 7-2-1997 codes.
- ◆ UL Listed for Fire Exit Hardware. **3 hours.**
- ◆ (A) label rating on pairs of doors up to 8'0" x 8'0" swinging in same or opposite directions.
- ◆ Uncompromising security and safety in single and double fire exit doors.
- ◆ Chassis mounted unit construction.
- ◆ Available in many different functions. Lever and escutcheon trims are grade 1 construction with clutch freewheeling mechanism. Rose and escutcheon covers 161 cut out.

Suggested Architect's Specifications

- ◆ All exit devices shall be of touch bar design with smooth operation and be operative over 2/3 of the door's clear opening width.
- ◆ All exit devices must be listed under "Panic Hardware" in the Accident Equipment List of Underwriter's Laboratories, Inc. Where labeled doors are used as exits, they must be equipped with labeled Fire Exit Hardware and UL 10C, UBC 7-2-1997 codes.
- ◆ All springs shall be of stainless steel throughout.
- ◆ All exit devices shall be of chassis mounted unit construction.
- ◆ All exit device shall be ANSI A156.3, Grade 1.





HEAVY DUTY RIM TYPE PANIC EXIT DEVICE, UL LISTED

RIM TYPE FIRE RATED RIM

OED1500

OED4500

Rim Type Exit Devices

Fire Rated Rim Exit Devices

ANSI A156.3, Grade 1



Specifications

For Doors	1-3/4" thick standard. 4-1/2" minimum stile width required for single or double door application using standard 239 strike and pull or lever trims.
Chassis	Non-ferrous alloy (Panic Grade), steel (Fire Grade).
Cover	Brass, bronze or stainless steel. Cover stock hollow metal doors with 161 cut out.
Mounting	Furnished with wood and machine screws. Available with thru bolts on request. Thru bolts are included and standard packaging on fire rated devices.
End Cap	Brass, bronze or stainless steel construction.
Hand	Non handed, center hub.
Latch Bolt	Stainless steel 3/4" throw with anti-pick feature.
Spring	Stainless steel throughout.
ANSI standard	A156.3, Grade 1.
Rail Assembly	Heavy gauge extruded aluminum body with stainless.
Strike	938 packed standard
Dogging Feature	Allen-type key furnished standard on non-fire labeled devices.
Mullion	Available.
UL and ULC Listed	OED1500 Series for panic. OED4500 Series for fire exit hardware for all types of 4' x 8' single doors and 8' x 8' double doors for up to 3 hours fire labeled installations, conforms to standards UL 10C and UBC 7-2-1997 codes.
Finish	Satin Stainless
Door size	OED1536 and OED4536 (FIRE) for 36" doors. OED1548 and OED4548 (FIRE) for 48" doors.

Part Number	Type	Length	Fire Rating
OED1536-AL	Heavy Duty Rim, Exit Only	36"	N/A
OED1548-AL		48"	N/A
OED4536-AL		36"	3 Hour Rated
OED4548-AL		48"	3 Hour Rated



HEAVY DUTY VERTICAL ROD PANIC EXIT DEVICE, UL LISTED

VERTICAL ROD FIRE RATED VR

OED1600

Vertical Rod Type Exit Devices,
Less Bottom Rod

OED4600

Fire Rated Vertical Rod,
Less Bottom Rod



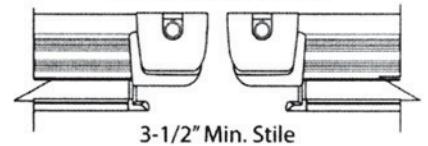
Specifications

ANSI A156.3, Grade 1

For Doors	1-3/4" thick standard optional 2-1/4" thick. 4-1/2" minimum stile width required for single or double door application using standard 239 strike and pull or lever trims.
Chassis	Non-ferrous alloy (Panic Grade), steel (Fire Grade).
Cover	Brass, bronze or stainless steel. Cover stock hollow metal doors with 161 cut out.
Mounting	Furnished with wood and machine screws. Available with thru bolts on request. Thru bolts are included and standard packaging on rated devices.
End Cap	Brass, bronze or stainless steel construction.
Hand	Non handed, center hub.
Latch Bolt	Stainless steel 3/4" throw with anti-pick feature.
Spring	Stainless steel throughout.
ANSI standard	A156.3, Grade 1.
Rail Assembly	Heavy gauge extruded aluminum body with stainless.
Strike	938 packed standard
Dogging Feature	Allen-type key furnished standard on non-fire labeled devices.
Mullion	Available.
UL and ULC Listed	OED1600 Series for panic. OED4600 Series for fire exit hardware for all types of 4' x 8' single doors and 8' x 8' double doors for up to 3 hours fire labeled installations, conforms to standards UL 10C and UBC 7-2-1997 codes.
Finish	Satin Stainless
Door size	OED1636 and OED4636 (FIRE) for 36" x 84" doors. OED1648 and OED4648 (FIRE) for 48" x 96" doors.

MINIMUM STILE REQUIREMENTS

Double Door with Two Vertical Rod Type Exit Devices



Part Number	Type	Length	Fire Rating
OED1636-32D-LHR		36"	N/A
OED1636-32D-RHR		36"	N/A
OED1648-32D-LHR		48"	N/A
OED1648-32D-RHR	Heavy Duty Vertical Rod, Less Bottom Rod, Exit Only	48"	N/A
OED4636-32D-LHR		36"	3 Hour Rated
OED4636-32D-RHR		36"	3 Hour Rated
OED4648-32D-LHR		48"	3 Hour Rated
OED4648-32D-RHR		48"	3 Hour Rated



TRIM FOR HEAVY DUTY EXIT DEVICES

OED1500, OED4600, OED4500 & OED4600

TRIM

Part Number	Description
OED7700NEESC-26D	Entrance Pull Trim w/ Key, Grade 1, ANSI function 03/04
OED7705NEESC-26D	Keyed Lever for all 1000/4000 Series Devices
OED7730NEESC-26D	Passage Lever for all 1000/4000 Series Devices
OED7700PK-26D	Keyed Pull Trim w/ Key, Grade 1, ANSI function 03/04
OED1000STK	Overlapping Strike for all 1000/4000 Devices



OED7700NEESC
OED7705NEESC

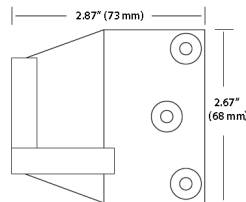


OED7700PK
14-5/16" x 2-5/8"



OED7730NEESC

OED1000STK
Overlapping Strike for Double Door
Use in 1000/4000 Series



ALARM KIT

- Optional Alarm Unit that can be installed into 1000/4000 series exit devices.
- Alarm unit has an internal horn. When push rail is depressed, the horn sounds.
- Key Switch to turn off alarm is standard 1-1/4" cylinder with C-Keyway.
- Operates on 1 standard 9-volt battery.
- Supplied with "EMERGENCY EXIT ONLY ALARM WILL SOUND" decal

Part Number	Description
OEDALARM-36	Alarm Kit for Installation on 4000 Series 36" Devices
OEDALARM-48	Alarm Kit for Installation on 4000 Series 48" Devices

DOOR CLOSERS



ORCA
HARDWARE™





MEDIUM DUTY POWER ADJUSTABLE DOOR CLOSER

BHDC 2011

- Commercial Door Closer for use in:
 1. Office Buildings
 2. Shopping Centers
 3. Mixed-Use Buildings
 4. Multi-family Residences
- Multi-sized Closer: Adjustable 1-6
- BHMA Certified Grade 1, ANSI 156.4
- UL Listed
- Heavy Duty Cast Aluminum Body
- Full Plastic Cover
- Adjustable Back-check Function
- Needle-bearing Application for Higher Efficiency and Smoother Operation
- Adjustable for Barrier-free Compliance
- Packet: 6 per case
- 10 Year Warranty

- Power Adjustable: Size 1-6
- Finishes: Plastic Cover: AL, Duro
- Parallel Arm Bracket for Tri-Packed Application:
 1. Regular Arm Pull Size Mounting
 2. Parallel Arm Push Side Mounting
 3. Top Jamb Push Side Mounting
- Sex Nuts and Bolts
- For Interior Doors Up to 60" Wide
- For Exterior Doors Up to 48" Wide

Part No.	Back Check	Hold Open	Barrier Free	Cover
BHDC2011RA/PA Regular Arm	Yes	Order HO Below	Yes	Yes
BHDC2011DA/PA Delayed Action	Yes	No	Yes	Yes
BHDC2011HO/PA Hold Open Arm	Yes	Yes	Yes	Yes

Additional Cush Arm

Part No.	Description
ARM2011C	Cush Arm for BHDC2011 w/o Hold Open



AL and DURO finishes available

Order Drop Plates Separately, see page 64.



HEAVY DUTY MULTI-SIZE FULL FEATURE CLOSER

BHDC 1958

- Easy to install and superior engineering
- Complies with ANSI A156.4 Grade 1
- UL Listed
- ADA (Handicap) multi-sized closers with adjustable Spring Power for a range of sizes adjustable after installation
- Manufactured under ISO 9001 guidelines
- Tri-Style installation: Installs regular, parallel arm or top jamb
- Non-Handed, installs on either side of door
- Adjustable Sweep and Latch speeds, separate valves to adjust each speed
- Adjustable Back-check standard
- Adjustable Delayed Action Closing Option, closers to be furnished with delayed action feature, suffix "DA" to catalog number
- Cast iron body, cover made of High Impact UL Listed molded plastic cover
- Power of closer can be adjusted to conform to the requirements of the Americans with Disabilities Act (ADA) and as outlined in ANSI A117.1 Specifications for making buildings and facilities accessible to and usable by the physically handicapped
- Door Opening: regular arm 120, parallel arm 180, and top jamb 120
- Finishes: Plastic Cover - AL, Duro
- 10 Year Warranty
- Sex Nuts and Bolts
- For Interior Doors Up to 60" Wide
- For Exterior Doors Up to 48" Wide



Part No.	Back Check	Hold Open	Barrier Free	Cover
BHDC1958RA/PA Regular Arm	Yes	Order HO Below	Yes	Yes
BHDC1958DA/PA Delayed Action	Yes	No	Yes	Yes
BHDC1958HO/PA Hold Open Arm	Yes	Yes	Yes	Yes

Additional Cush Arm

Part No.	Description
ARM1958C	Cush Arm for BHDC1958 w/o Hold Open

AL and DURO finishes available



Order Drop Plates Separately,
see page 64.



CLOSER DROP PLATES

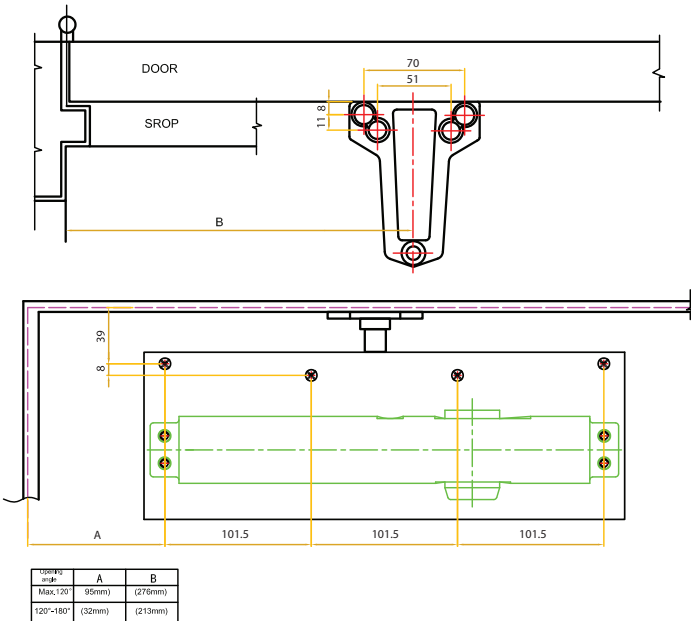
DROP PLATE INSTALLATION INSTRUCTIONS

Part No.	Description
1958DP-18PA	Large Drop Plate
1958DP-18	Narrow Drop Plate
1958DP-18G	Narrow Drop Plate
1958DP-18JT	Narrow Drop Plate
BHDC2011LDP	Large Drop Plate
BHDC2011NDP	Narrow Drop Plate

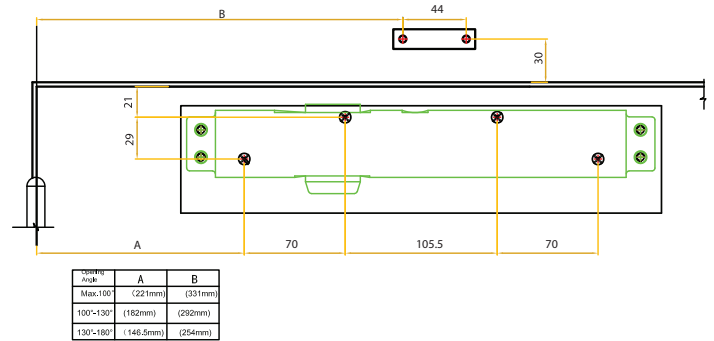
AL and DURO finishes available

BHDC2011 Series Installation Template with Drop plate

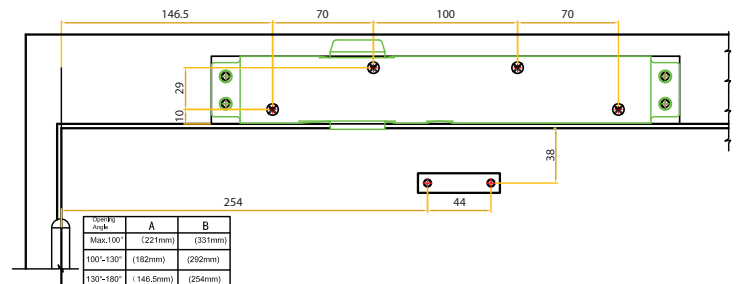
Parallel installation template with PA



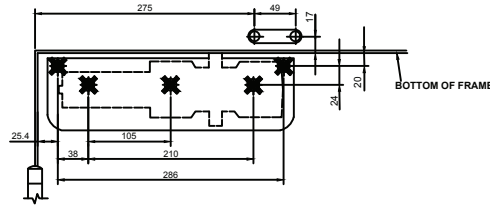
Regular installation template with REG



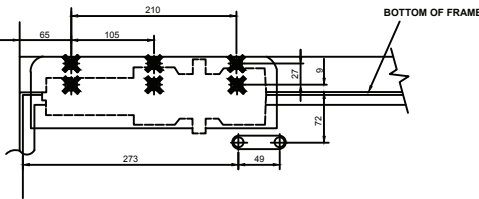
Top Jamb installation template with REG



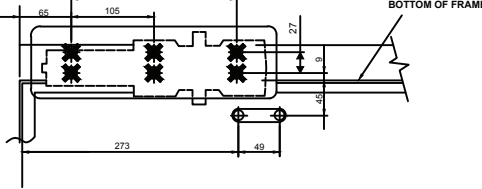
Installation Instructions with 1958DP-18



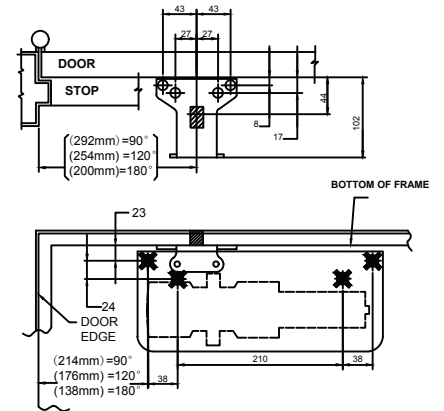
Installation Instructions with 1958DP-18G



Installation Instructions with 1958DP-18TJ



Installation Instructions with 1958-18PA



NOTED:
BEFORE INSTALLING CLOSER TURN BACKCHECK SELECTOR VALVE (FOUND ON THE UNDERSIDE OF THE DOOR CLOSER) ALL THE WAY IN (CLOCKWISE)

ORCA
HARDWARE™



orcahardware.com