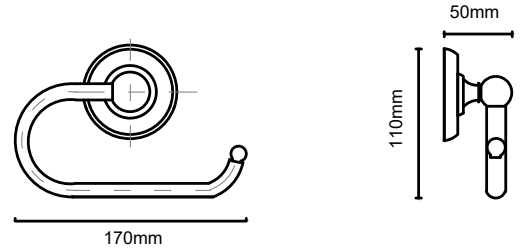




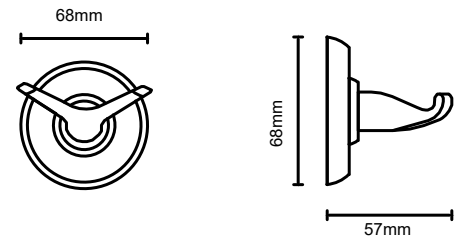
**4855 EURO T/P HOLDER**

Material – Zinc  
Concealed mounting screws  
SN – Satin Nickel  
CH – Polished Chrome  
BL – Matte Black  
ORB – Oil Rubbed Bronze  
SB – Satin Brass



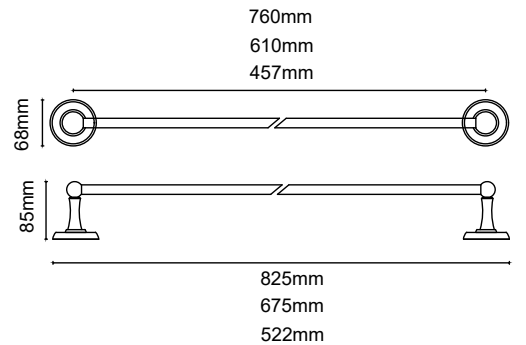
**4854 DOUBLE ROBE HOOK**

Material – Zinc  
Concealed mounting screws  
SN – Satin Nickel  
CH – Polished Chrome  
BL – Matte Black  
ORB – Oil Rubbed Bronze  
SB – Satin Brass



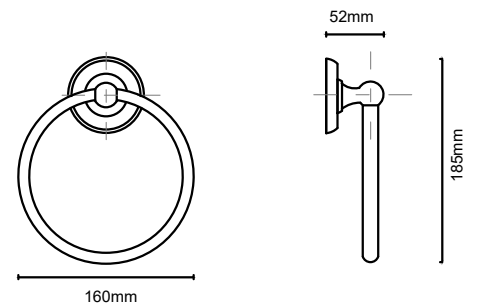
**4818, 24, 30 TOWEL BAR**

Material – Zinc and 204 Stainless  
Concealed mounting screws  
SN – Satin Nickel  
CH – Polished Chrome  
BL – Matte Black  
ORB – Oil Rubbed Bronze  
SB – Satin Brass



**4860 TOWEL RING**

Material – Zinc  
Concealed mounting screws  
SN – Satin Nickel  
CH – Polished Chrome  
BL – Matte Black  
ORB – Oil Rubbed Bronze  
SB – Satin Brass



**4852 T/P HOLDER WITH PLASTIC TUBE**

Material – Zinc and Plastic  
Concealed mounting screws  
SN – Satin Nickel  
CH – Polished Chrome  
BL – Matte Black  
ORB – Oil Rubbed Bronze  
SB – Satin Brass

