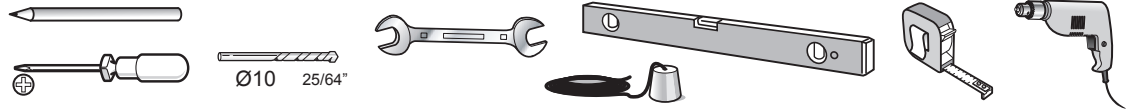


RDST INSTALLATION INSTRUCTIONS

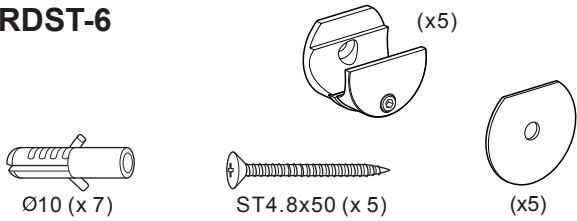
Tools

Required:

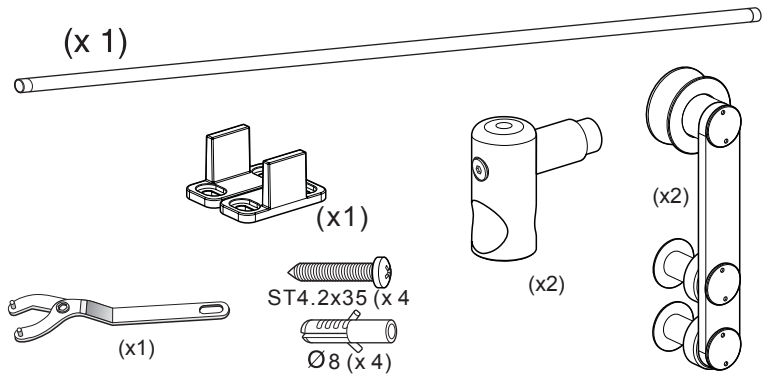


Parts:

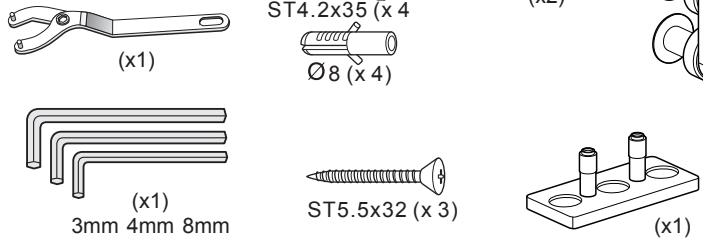
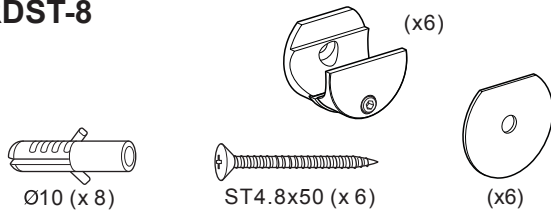
RDST-6



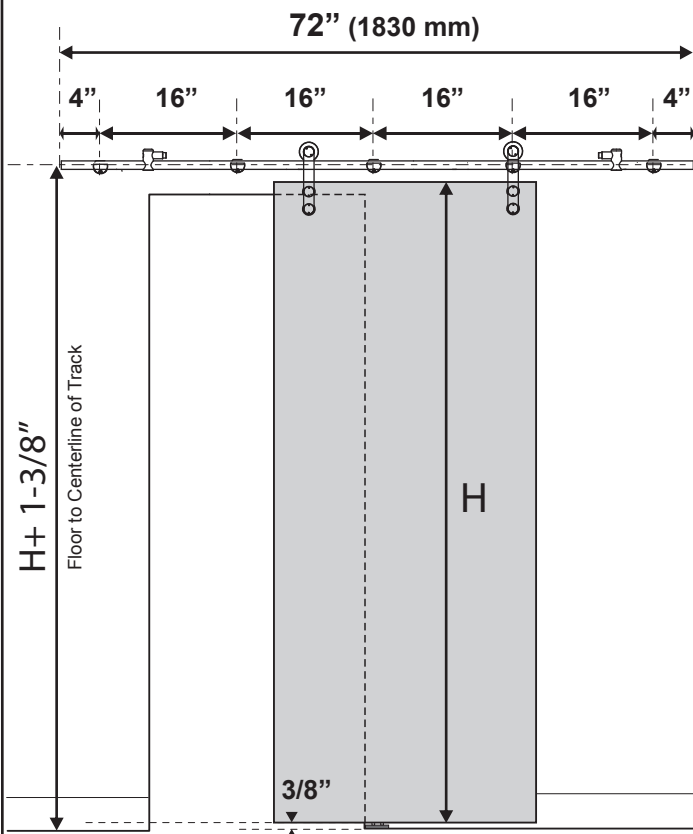
(x 1)



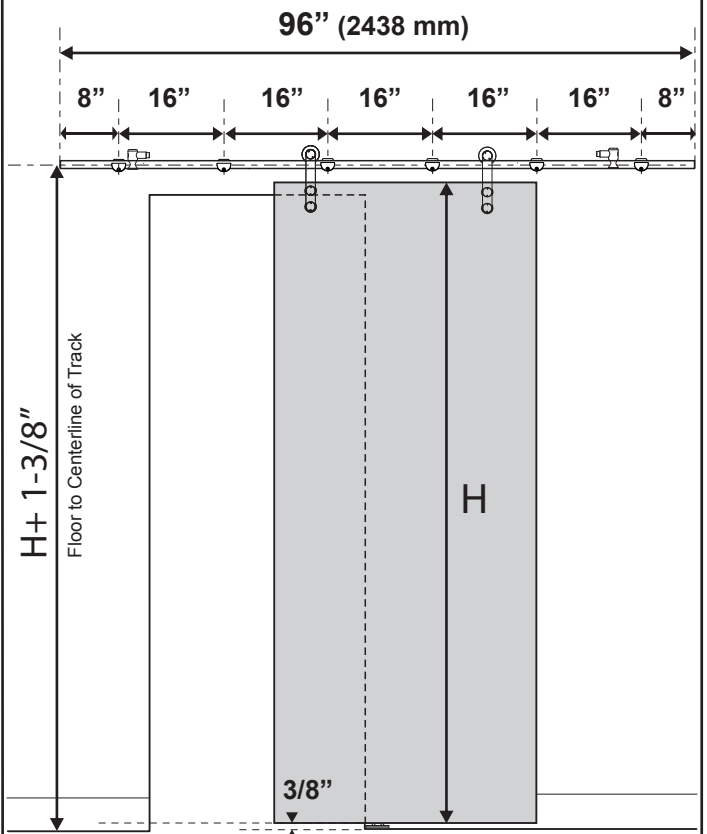
RDST-8

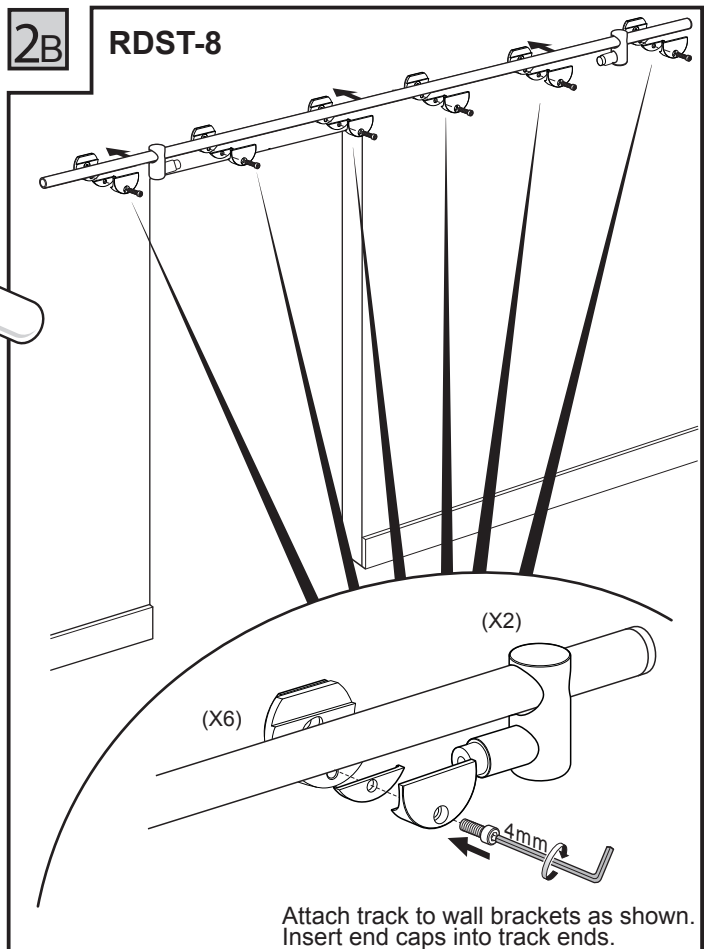
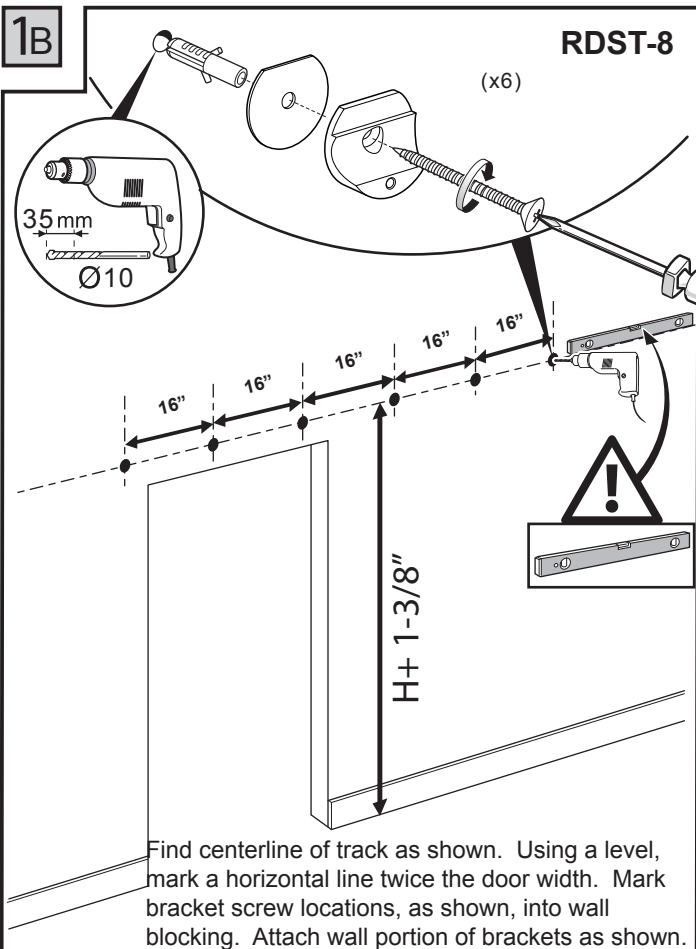
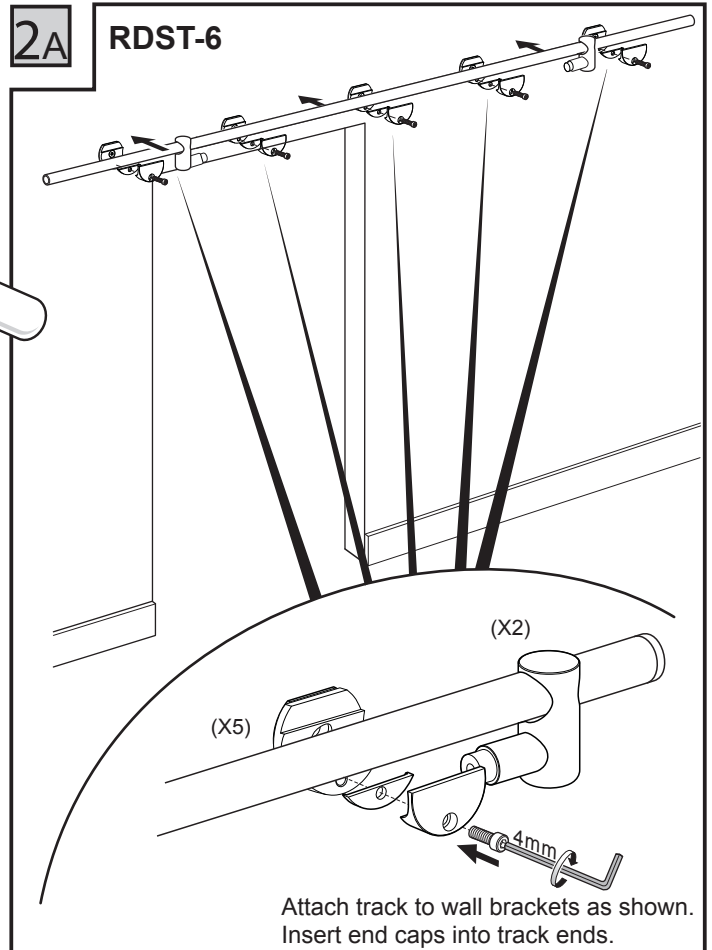
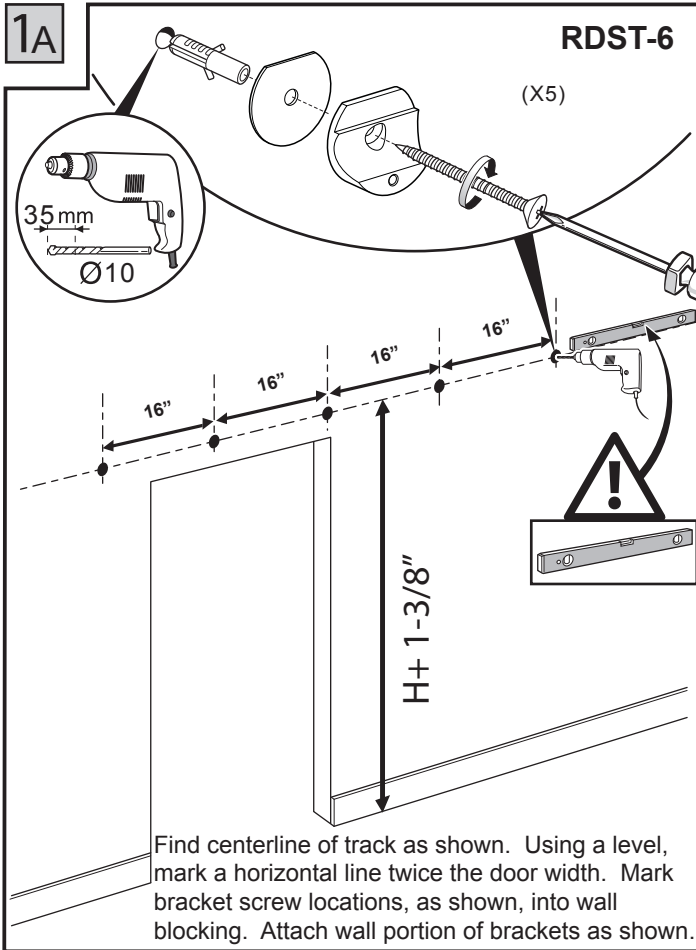


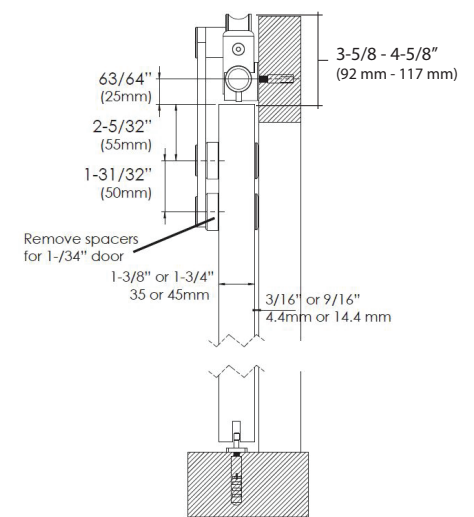
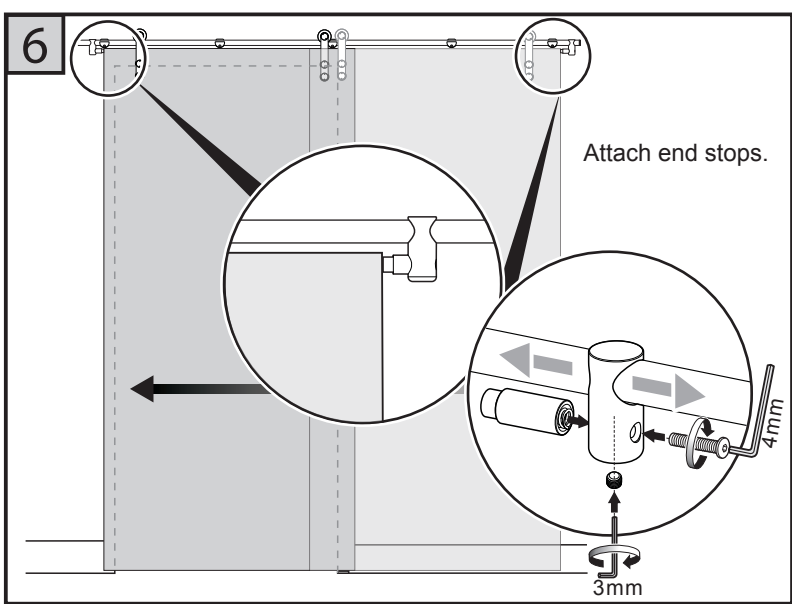
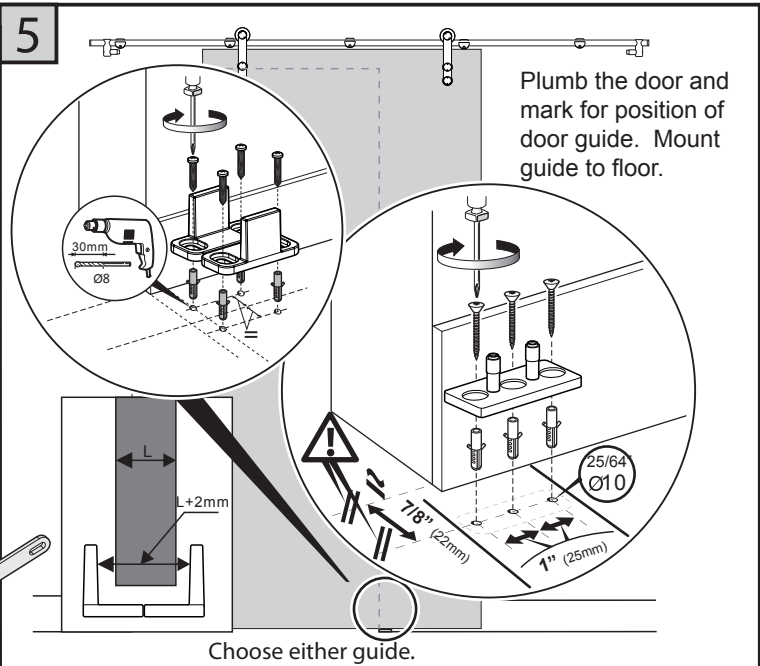
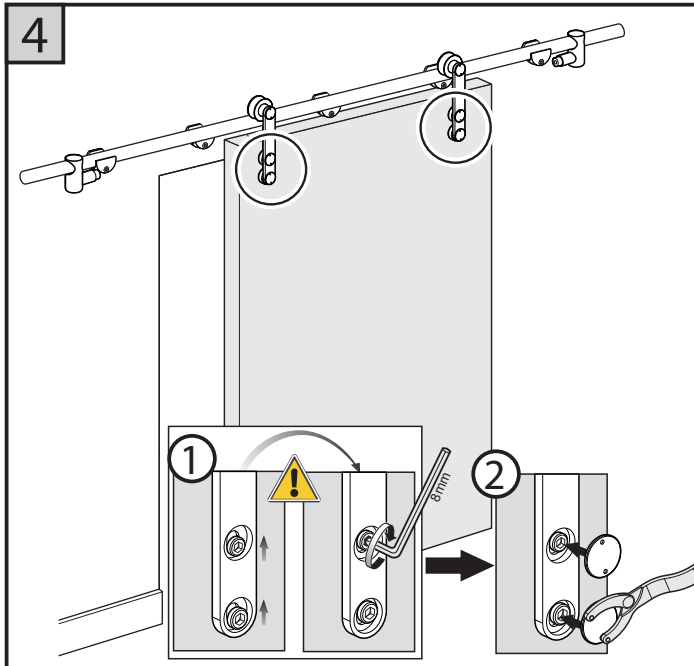
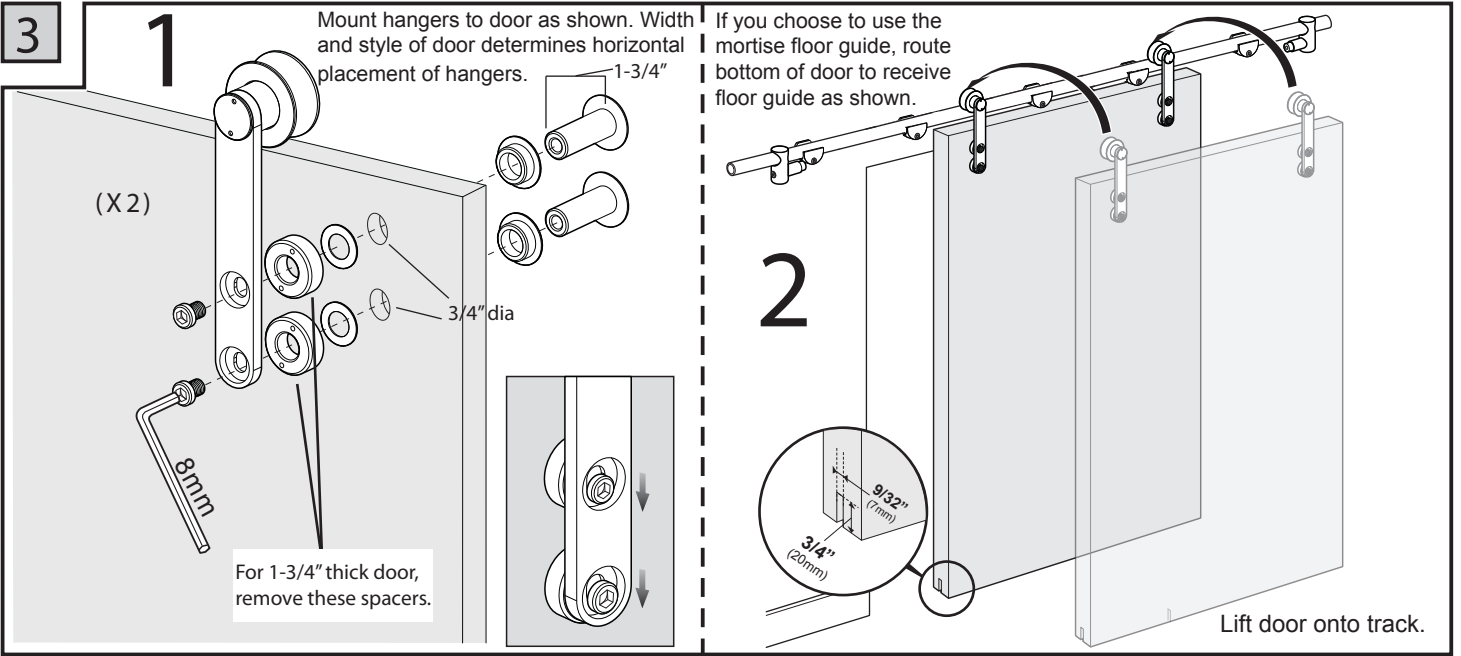
RDST-6



RDST-8







End stops can either hang below track to press against the door or above the track to press against the hanger wheel.

