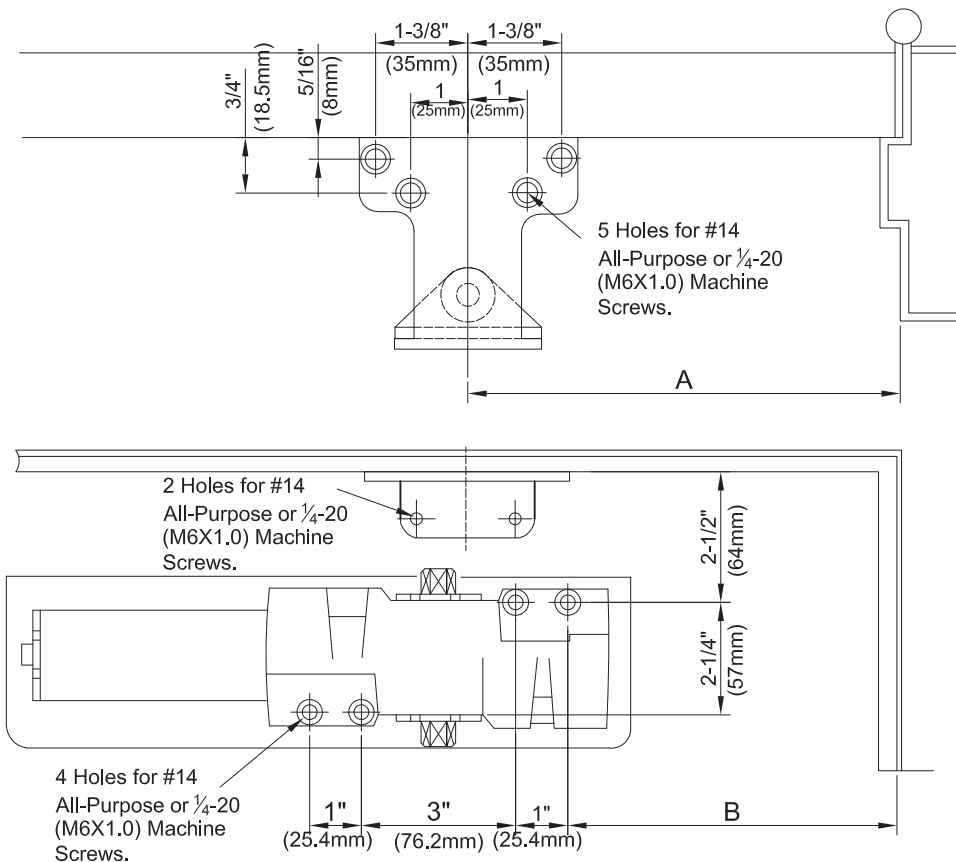


PARALLEL ARM INSTALLATION CLOSER MOUNTED ON DOOR ON PUSH SIDE

This drawing shown is RIGHT HAND DOOR, For LEFT HAND DOOR should be install in symmetry



INSATLLATION DIMENSIONS

OPENNING	"A"	"B"
TO 100	9-7/16" (240)	8-1/4" (210)
TO 120	8 5/8" (220)	7 -5/16" (185)
OVER 140	7 7/8" (200)	6- 1/2" (165)

1. Before installation, turn Back selector valve (Found on the opposite side of closer from backcheck screw side) ALL THE WAY IN (CLOCKWISE).
 2. Adjust spring power to match door width as indicated by chart on page 1.
 3. Mount closer on door as dimensions shown. Turn end toward latch. If pivots are used, locate closer and parallel bracket from CENTERLINE OF PIVOT.
 4. Place open end wrench on bottom shaft and turn toward hing jamb about 30°, and then place main arm on top shaft, insert arm screw into top of shaft and tighten.
 5. Attach parallel bracket on frame as dimensions shown.
 6. Attach rod and shoe to parallel bracket as shown.
 7. Insert rod in forearm, and then insert main arm to closer parallel to door. Then insert forearm set screw and tighten.
- (IF HOLD OPEN ARM IS USED, THE NUT IS ON THE TOP FOR RH DOOR AND BOTTOM FOR LH DOOR)

REGUALTION:

A ' normal ' closing time from 90° open position to door stop position is 4-6 secs, evenly devided between main swing speed and latch swing speed. Use socket key (Furnished) to adjust speed. To slow mian speed of door, turn regulating screw nearest shaft clockwise. To slow latch speed, turn regulating screw nearest hing clockwise.

BACKCHECK

To increase back-check force, turn regulating screw nearest hing clockwise. DO NOT USE ABRUPT BACKCHECK OR EXPECT DOOR CLSOER TO ACT AS A DOOR STOP.

COVER

Place insert in Proper cutout, then push cover adgain door. Tighten both cover screw securely.

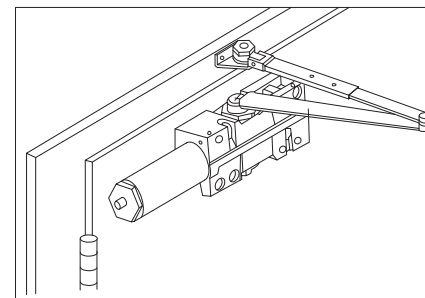
HOLD OPEN ADJUSTMENT (WHEN HOLD OPEN ARM IS USED)

Loose adjusting nut, open door to designed hold open position and tighten nut. Do not permit door to swing beyond hold open setting.

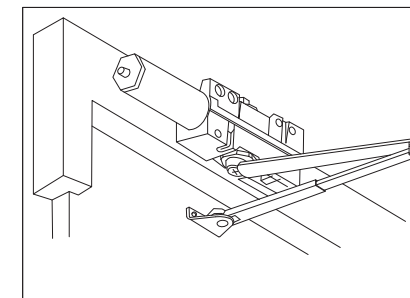
BHDC1958 SERIES HOA DOOR CLOSER INSTALLATION & INSTRUCTIONS

FOR HOLD OPEN TYPE

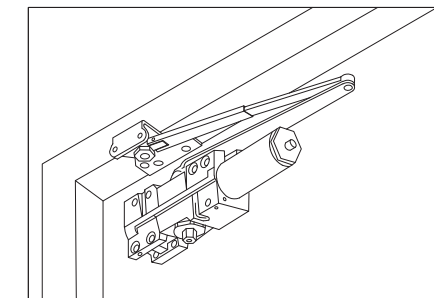
STANDARD MOUNT
(PULL SIDE)



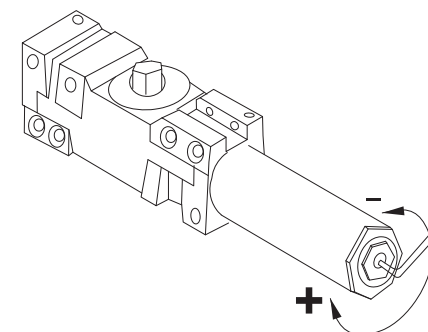
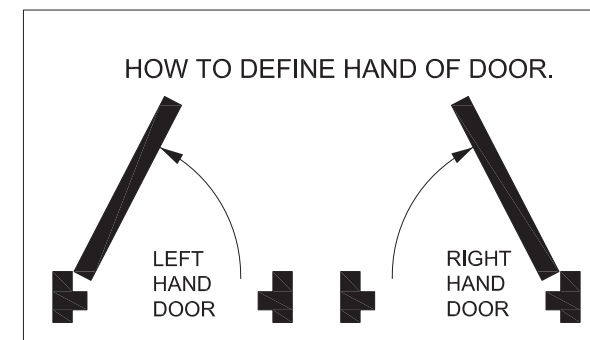
TOP JAMB MOUNT
(PUSH SIDE)



PARALLEL MOUNT
(PUSH SIDE)

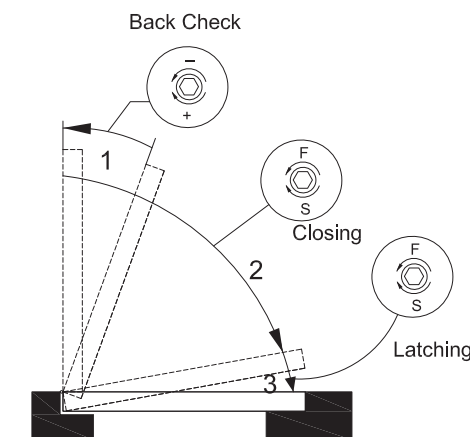


MAXIMUM DOOR WIDTH		FULL TURNS REQUIRED
EXTERIOR DOORS	INTERIOR DOORS	
	5 lb-f*	5 TURNS C.C.W.
8.5lb-f*	34"(864)	2 TURNS C.C.W.
30" (762)	38"(962)	0 TURNS
36"(914)	48"(1219)	5 TURNS C.W.
42"(1067)	54"(1372)	10TURNS C.W.
48"(1219)	60"(1524)	15 TURNS C.W.



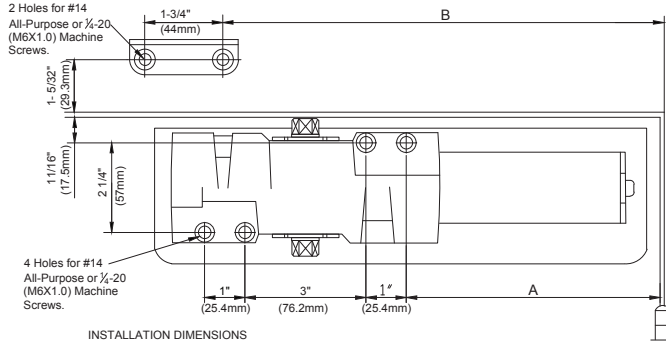
Spring Power Adjustment

CONTROL RANGE



STANDARD INSTALLATION CLOSER MOUNTED ON DOOR ON PULL SIDE

This drawing shown is LEFT HAND DOOR, For RIGHT HAND DOOR should be install in symmetry



INSTALLATION DIMENSIONS

OPENING	"A"	"B"
TO 100	7- ³ / ₁₆ " (185)	11- ³ / ₁₆ " (300)
TO 130	6- ¹ / ₂ " (159)	10- ³ / ₁₆ " (275)

1. Adjust spring power to match door width as indicated by chart on page 1.
2. Mount closer on door as dimensions shown. Turn end toward hinge. If pivots are used, locate closer and shoe from CENTERLINE OF PIVOT.
(For offset pivots, pls increase the marked dimensions by 1/2")
3. Place main arm on top shaft to closer body, insert arm screw into top of shaft and tighten.
4. Attach shoe to frame as dimensions shown. (if more latching power is required, rotate shoe 180)
5. Open door and insert rod in forearm.
6. With forearm at right angle to door (90), insert forearm set screw and tighten. (IF HOLD OPEN ARM IS USED, THE NUT IS ON THE TOP FOR RH DOOR AND BOTTOM FOR LH DOOR)

REGULATION:

A "normal" closing time from 90 open position to door stop position is 4-6 secs, evenly divided between main swing speed and latch swing speed. Use socket key (Furnished) to adjust speed. To slow main speed of door, turn regulating screw nearest shaft clockwise. To slow latch speed, turn regulating screw nearest hing clockwise.

BACKCHECK

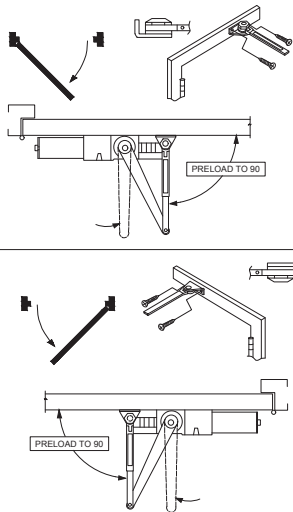
To increase back-check force, turn regulating screw nearest hing clockwise. DO NOT USE ABRUPT BACKCHECK OR EXPECT DOOR CLOSER TO ACT AS A DOOR STOP.

COVER

Place insert in Proper cutout, then push cover adgain door. Tighten both cover screw securely.

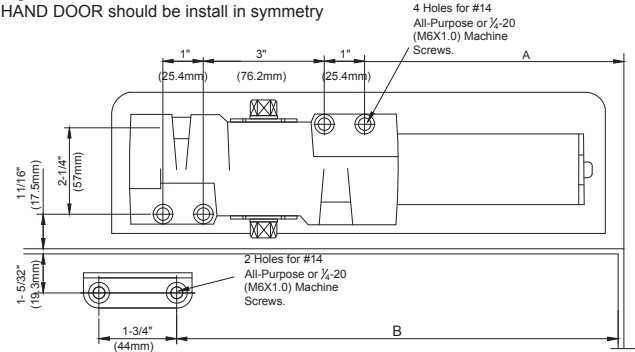
HOLD OPEN ADJUSTMENT (WHEN HOLD OPEN ARM IS USED)

Loose adjusting nut, open door to designed hold open position and tighten nut. Do not permit door to swing beyond hold open setting.



TOP JAMB INSTALLATION CLOSER MOUNTED TOP JAMB ON PUSH SIDE OF DOOR.

This drawing shown is RIGHT HAND DOOR,
For LEFT HAND DOOR should be install in symmetry



INSTALLATION DIMENSIONS

OPENING	"A"	"B"
TO 100	7- ³ / ₁₆ " (185)	11- ³ / ₁₆ " (300)
TO 130	6- ¹ / ₂ " (159)	10- ³ / ₁₆ " (275)

1. Adjust spring power to match door width as indicated by chart on page 1.
2. Mount closer on frame as dimensions shown. Turn end toward hinge. If pivots are used, locate closer and shoe from CENTERLINE OF PIVOT.
(For offset pivots, pls increase the marked dimensions by 1/2")
3. Place main arm on top shaft to closer body, insert arm screw into top of shaft and tighten.
4. Attach shoe to door as shown. (if more latching power is required, rotate shoe 180)
5. Open door and insert rod in forearm-for reveal 2 5/8" through 4 1/8" use long rod. For reveals 4 7/8" to 8" use FORARM EXTENDER (ROD)-available from dealer.
6. With forearm at right angle to door (90), insert forearm set screw and tighten. (IF HOLD OPEN ARM IS USED, THE NUT IS ON THE TOP FOR RH DOOR AND BOTTOM FOR LH DOOR)

REGULATION:

A "normal" closing time from 90 open position to door stop position is 4-6 secs, evenly divided between main swing speed and latch swing speed. Use socket key (Furnished) to adjust speed. To slow main speed of door, turn regulating screw nearest shaft clockwise. To slow latch speed, turn regulating screw nearest hing clockwise.

BACKCHECK

To increase back-check force, turn regulating screw nearest hing clockwise. DO NOT USE ABRUPT BACKCHECK OR EXPECT DOOR CLOSER TO ACT AS A DOOR STOP.

COVER

Place insert in Proper cutout, then push cover on the door closer body. Tighten both cover screw securely.

HOLD OPEN ADJUSTMENT (WHEN HOLD OPEN ARM IS USED)

Loose adjusting nut, open door to designed hold open position and tighten nut. Do not permit door to swing beyond hold open setting.

