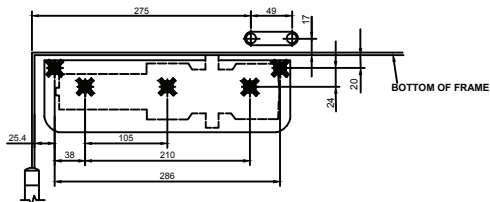
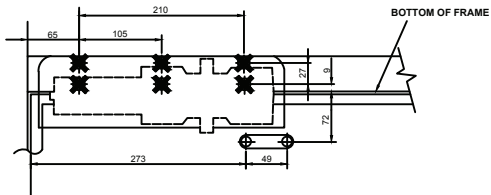


## DROP PLATE INSTALLATION INSTRUCTIONS

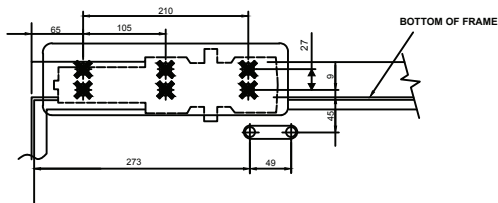
### Installation Instructions with 1958DP-18



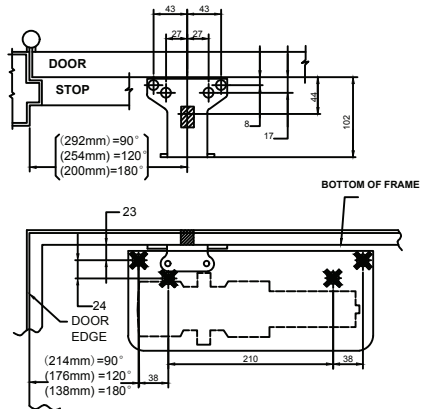
### Installation Instructions with 1958DP-18G



### Installation Instructions with 1958DP-18TJ



### Installation Instructions with 1958-18PA



#### NOTED:

BEFORE INSTALLING CLOSER TURN BACKCHECK SELECTOR VALVE (FOUND ON THE UNDERSIDE OF THE DOOR CLOSER) ALL THE WAY IN (CLOCKWISE)