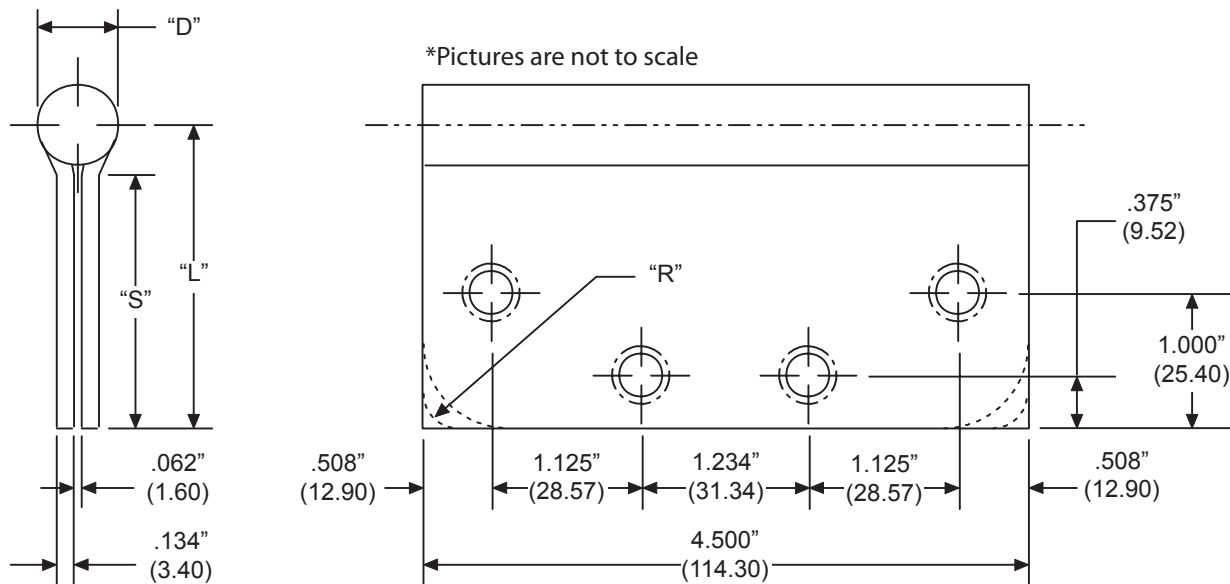




# 4.5 Inch x 4.5 Inch Hinge Template

MFG #	Gauge	Outside Dia. "D"	Leaf Width "L"	Swage Line "S"	Corner Radius "R"
COM4545	.134"	.6"	2.25"	1.88"	Square

COM4545 hinges come with #12 x 1/2" machine screws and #12 x 1-1/4" wood screws.



COM4545 hinges are Standard Duty  
 COM4545BB (Ball Bearing) hinges are Heavy Duty  
 Made of Steel  
 Available in US26D and US10B