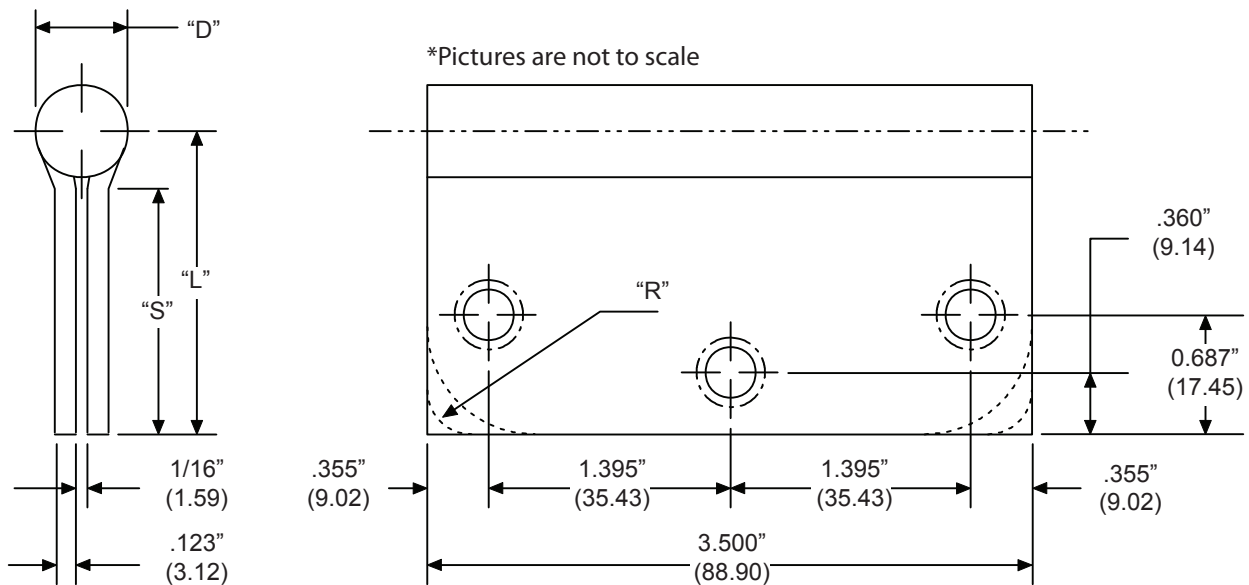




3.5 Inch x 3.5 Inch Hinge Template

MFG #	Gauge	Outside Dia. "D"	Leaf Width "L"	Swage Line "S"	Corner Radius "R"
COM3535	.123"	.535"	1.75"	1.42"	Square

COM3535 hinges come with #10 x 1/2" machine screws and #10 x 1" wood screws.



COM3535 hinges are Standard Duty
 Made of Steel
 Available in US26D, US15, and US10B