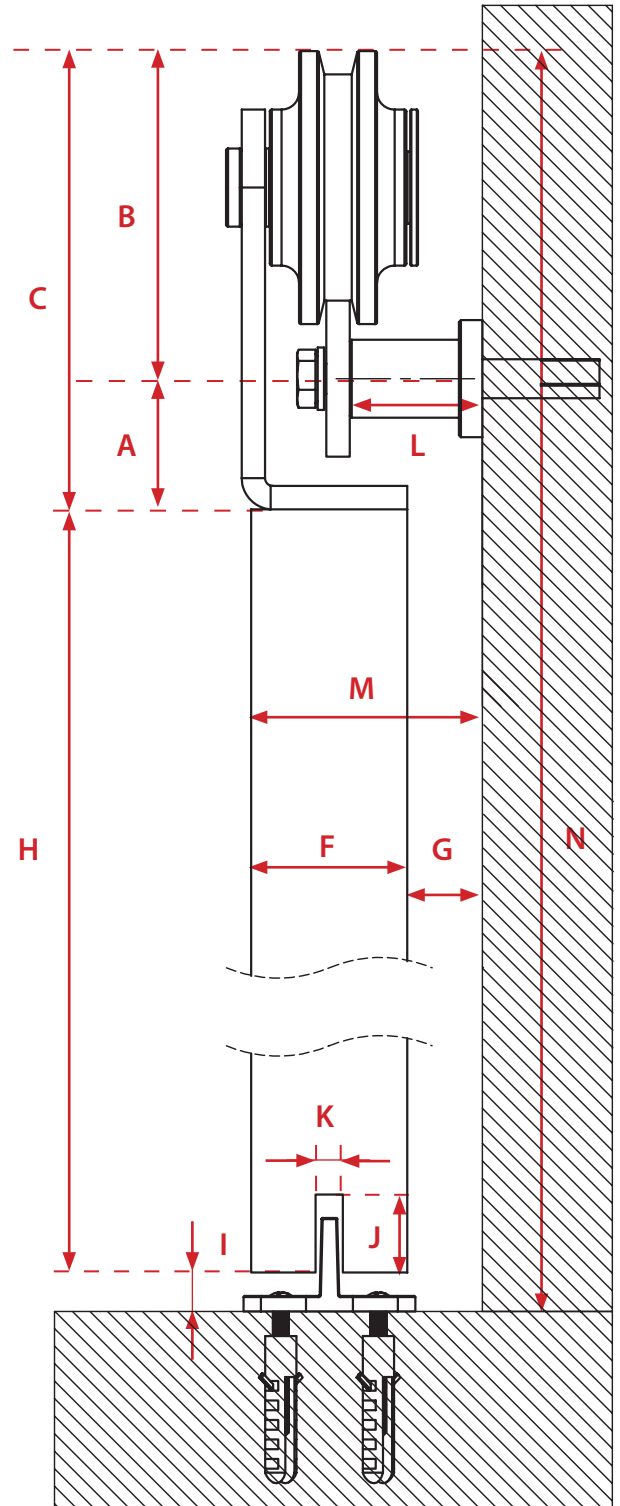


Measurement	Inches	mm
A	1.319"	33.5
B	3.307"	84
C	4.626"	117.5
D	-	-
E	-	-
F	Door Thickness	
G	2.441" - F	62-F*
H	Height of Door	
I	.394"	10
J	.787"	20
K	.275"	7
L	1.338"	34
M	2.441"	62
N	H + 5.019"	H+127.5
O	4.626"	117.5
P	2.756"	70 dia.
Q	1.575"	40
R	.236"	6
S	1.496"	38
T	-	-

*24 for 1-3/8" Dr
 *14 for 1-3/4" Dr



PRODUCT	SPEC	DATE
FTTM Top Mount	SPEC.FTTM.2	9-2020