

INTERIOR FLAT & ROUND TRACK HARDWARE



POCKET, SLIDING, BYPASS TRACK HARDWARE

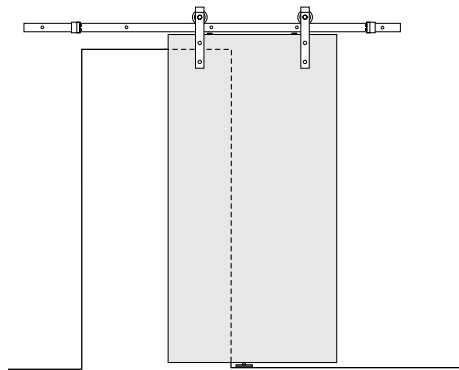


GENERAL INFORMATION

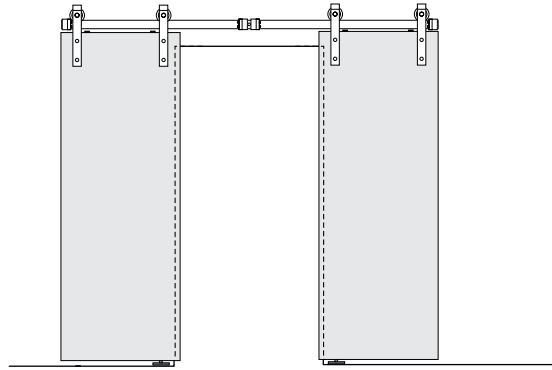
<p>APPLICATIONS:</p> <p>Interior Sliding Doors up to 200 lbs. Maximum Door Thickness: 1-3/4" 1 Door Standard 2 Door Option with either a double door kit or extra hangers, stops, guide</p>	<p>FINISHES:</p> <p>Flat Track Black Oil-Rubbed Bronze Satin Stainless Satin Nickel</p> <p>Round Track Stainless Steel</p>	<p>TRACK KITS INCLUDE:</p> <table border="0"> <tr> <td>Track*</td> <td>Connector Plate <i>(for optional use, only in FT Kits)</i></td> </tr> <tr> <td>2 Hangers</td> <td>All Fasteners</td> </tr> <tr> <td>Spacers</td> <td>Door Guides</td> </tr> <tr> <td>End Stops</td> <td>Instructions</td> </tr> <tr> <td>Anti-Jump Blocks <i>(only in Flat Track Kits)</i></td> <td></td> </tr> </table> <p style="text-align: right;">*1 piece except where noted</p>	Track*	Connector Plate <i>(for optional use, only in FT Kits)</i>	2 Hangers	All Fasteners	Spacers	Door Guides	End Stops	Instructions	Anti-Jump Blocks <i>(only in Flat Track Kits)</i>	
Track*	Connector Plate <i>(for optional use, only in FT Kits)</i>											
2 Hangers	All Fasteners											
Spacers	Door Guides											
End Stops	Instructions											
Anti-Jump Blocks <i>(only in Flat Track Kits)</i>												

HOW TO ORDER COMMON APPLICATIONS

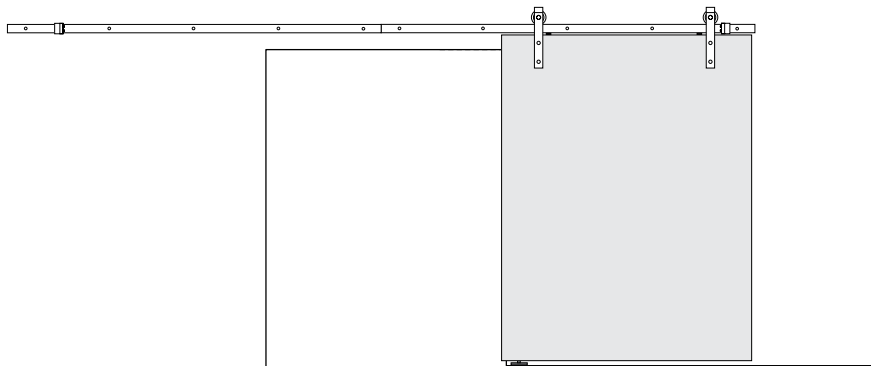
Doors not included.



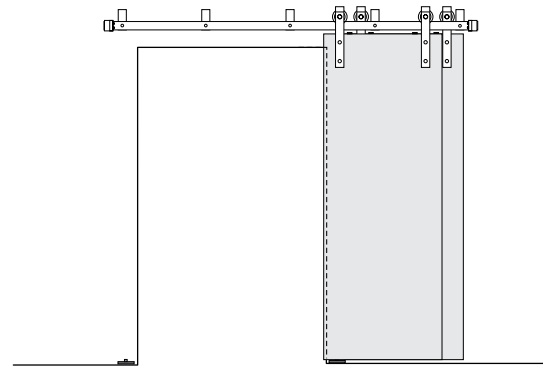
Single Door Covers Opening
Order 1 Complete Kit



Two Doors Covers Opening
Order 1 Complete Kit & 1 Double Door Kit



Single Door Covering A Wide Opening
Order 2 Complete Kits



Two Doors Covers Opening as Bypass
Order 2 Complete Kits & Bypass Brackets

More Ordering Examples

Order Standard Kit + order parts shown above

Example 1: Single Door with Softclose: Order 1 Complete Kit and Soft Close Adapter

Example 2: 2 Doors on single 8' Round Track: Order 1 8' Complete Kit, 2 hangers, 2 stops, 1 guide, 1 connector

Example 3: Horseshoe (or Spear) Hangers: Order FTST Complete Kit plus 2 Horseshoe Hangers

- Polymer Wheels for quiet operation
- 200 lbs per Door
- 5', 6', 6'-6", 8' & 10' Options
- For Interior 1-3/8" or 1-3/4" Thick Doors
- All Fasteners Included, including optional connector plate
- Additional Options for: Soft Close & Soft Open, Double Door Applications, & Bypass Applications



PART NO.	DESCRIPTION	
FTST-BL-5	5' Black Flat Track Kit	
FTST-BL-6	6' Black Flat Track Kit	
FTST-BL-78	6' 6" Black Flat Track Kit	
FTST-BL-8	8' Black Flat Track Kit	
FTST-OB-6	6' Oil-Rubbed Bronze Flat Track Kit	KITS CONTAIN: Track (40mm H x 6mm W), Traditional Hangers, Spacers, End Stops, Floor Guides, Anti-Jump Blocks, Track Connector, and all Necessary Fasteners
FTST-OB-8	8' Oil-Rubbed Bronze Flat Track Kit	
FTST-SS-6	6' Satin Stainless Flat Track Kit	
FTST-SS-8	8' Satin Stainless Flat Track Kit	
FTST-SN-5	5' Satin Nickel Flat Track Kit	
FTST-SN-6	6' Satin Nickel Flat Track Kit	
FTST-SN-8	8' Satin Nickel Flat Track Kit	

Finishes



PART NO.	DESCRIPTION	
FTST-BL-8C	8' Black Flat Track Kit	KITS CONTAIN: Two 4' Tracks (40mm H x 6mm W), Traditional Hangers, Spacers, End Stops, Floor Guides, Anti-Jump Blocks, Track Connector, and all Necessary Fasteners
FTST-OB-8C	8' Oil-Rubbed Bronze Flat Track Kit	
FTST-SS-8C	8' Satin Stainless Flat Track Kit	
FTST-BL-10C	10' Black Flat Track Kit	KITS CONTAIN: Two 5' Tracks (40mm H x 6mm W), Traditional Hangers, Spacers, End Stops, Floor Guides, Anti-Jump Blocks, Track Connector, & all Necessary Fasteners
FTST-SS-10C	10' Satin Stainless Flat Track Kit	
FTST-SN-10C	10' Satin Nickel Flat Track Kit	



See pages 12 and 13 for specifications and additional parts.

TRADITIONAL DROP HANGER

Standard Kits

FLAT TRACK



PART NO.	DESCRIPTION		
FTAT-BL-6	6FT Flat Track with Arched Top Thrubolt Hangers	FT-Series	Black
FTAT-BL-8	8FT Bypass Flat Track with Arched Top Thrubolt	FT-Series	Black
FTAT-BL-10C	10FT Bypass Flat Track with Arched Top Thrubolt	FT-Series	Black
FTAT-SN-6	6FT Flat Track with Arched Top Thrubolt Hangers	FT-Series	Satin Nickel
FTAT-SN-8	8FT Flat Track with Arched Top Thrubolt	FT-Series	Satin Nickel
FTAT-SN-10C	10FT Flat Track with Arched Top Thrubolt	FT-Series	Satin Nickel

- Polymer Wheels for quiet operation
- 200 lbs per Door
- 6', 8' & 10' Options
- For Interior 1-3/8" or 1-3/4" Thick Doors
- All Fasteners Included, including optional connector plate
- Additional Options for: Soft Close & Soft Open, Double Door Applications, & Bypass Applications



- Polymer Wheels for quiet operation
- 200 lbs per Door
- 6'6" and 8' Options
- For Interior 1-3/8" or 1-3/4" Thick Doors Only
- All Fasteners Included, including optional connector plate
- Additional Options for: Soft Close & Soft Open, Double Door Applications, & Bypass Applications

Finishes



PART NO.	DESCRIPTION
FTTM-BL-6-6	6'6" Black Flat Track Kit
FTTM-BL-8	8' Black Flat Track Kit
FTTM-SS-6-6	6'6" Satin Stainless Flat Track Kit
FTTM-SS-8	8' Satin Stainless Flat Track Kit
FTTM-SN-6-6	6'6" Satin Nickel Flat Track Kit
FTTM-SN-8	8' Satin Nickel Flat Track Kit

KITS CONTAIN:
Track (40mm H x 6mm W), Top Mount Hangers, Spacers, End Stops, Floor Guides, Anti-Jump Blocks, Track Connector, and all Necessary Fasteners

PART NO.	DESCRIPTION
FTTM-BL-8C	8' Black Flat Track Kit
FTTM-SS-8C	8' Satin Stainless Flat Track Kit

KITS CONTAIN:
Two 4' Tracks (40mm H x 6mm W), Top Mount Hangers, Spacers, End Stops, Floor Guides, Anti-Jump Blocks, Track Connector, and all Necessary Fasteners

See pages 14 and 15 for specifications and additional parts.

SPOKE WHEEL HANGER

Standard Kits

FLAT TRACK

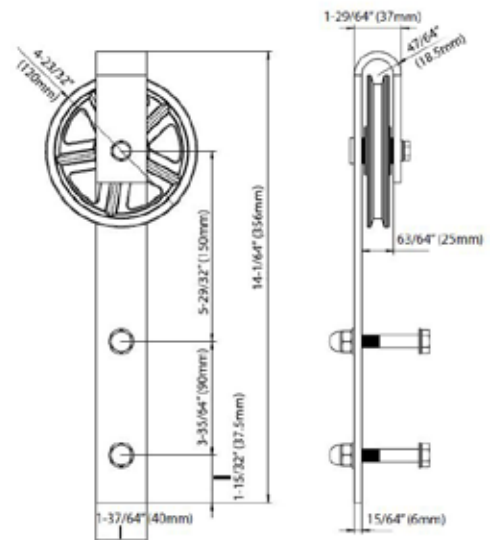
- Polymer Wheels for quiet operation
- 200 lbs per Door
- 6' and 8' Options
- For Interior 1-3/8" or 1-3/4" Thick Doors
- All Fasteners Included
- Additional Options for: Soft Close & Soft Open & Double Door Applications
- Available only in Black



PART NO.	DESCRIPTION	
FTSK-BL-6	6' Black Spoke Wheel Flat Track Kit	KITS CONTAIN: Track (40mm H x 6mm W), Spoke Wheel Hangers, Spacers, End Stops, Floor Guides, Anti-Jump Blocks, Track Connector, and all Necessary Fasteners
FTSK-BL-8	8' Black Spoke Wheel Flat Track Kit	
FTSK-BL-8C	8' Black Spoke Wheel Flat Track Kit	KITS CONTAIN: Two 4' Tracks (40mm H x 6mm W), Spoke Wheel Hangers, Spacers, End Stops, Floor Guides, Anti-Jump Blocks, Track Connector, and all Necessary Fasteners



See pages 14 and 15 for specifications and additional parts.





Spear Hanger

- Polymer Wheels for quiet operation
- 200 lbs per Door
- For Interior 1-3/8" or 1 3/4" Thick Doors
- 2 lengths of door bolts included
- Order main track kit separately

PART NO.	FINISH	DESCRIPTION
FTSP-HANGER-BL	Black	Spear Hanger Option for Flat Track
FTSP-HANGER-OB	Oil-Rubbed Bronze	

Horse Shoe Hanger

- Polymer Wheels for quiet operation
- 200 lbs per Door
- For Interior 1-3/8" or 1 3/4" Thick Doors
- 2 lengths of door bolts included
- Order main track kit separately



See pages 14 and 15 for specifications and additional parts.

PART NO.	FINISH	DESCRIPTION
FTHS-HANGER-BL	Black	Horse Shoe Hanger Option for Flat Track
FTHS-HANGER-OB	Oil-Rubbed Bronze	

Order 2 Optional Hangers along with a Standard Kit

Double Door Hanger Kits for Flat Track

Add to a Complete Kit for applications of 2 doors on a single track



PART NO.	DESCRIPTION
FTST-DDK-BL	Black Standard Double Door Hanger Kit
FTST-DDK-OB	Oil-Rubbed bronze Standard Double Door Hanger Kit
FTST-DDK-SN	Satin Nickel Standard Double Door Hanger Kit
FTST-DDK-SS	Stainless Steel Standard Double Door Hanger Kit
FTTM-DDK-BL	Black Top Mount Double Door Hanger Kit
FTTM-DDK-SS	Stainless Steel Top Mount Double Door Hanger Kit
FTSK-DDK-BL	Black Spoke Wheel Double Door Hanger Kit

KITS CONTAIN:
Two Hangers, Two End Stops, Two Floor Guide, Two Anti-Jump Blocks, and all Necessary Fasteners

For double door applications where kits are not available, order hangers, stops, guides, and anti-jump blocks.

Soft-Close & Open

- Closes door quietly and smoothly
- 2 per set, for soft close and soft open

PART NO.	FINISH	DESCRIPTION
FT-SOFTCLOSE-BL	Black	Soft-Close for Flat Track
FT-SOFTCLOSE-GR	Grey	Track (2/set)



Bypass Bracket

- Allows Two Doors to Bypass
- One Bypass Bracket Required for each Spacer

- 5 Brackets for 6' Track
- 5 Brackets for 6'6" Track
- 6 Brackets for 8' Track (8 & 8C)
- 8 Brackets for 10C Track (10C)

PART NO.	FINISH	DESCRIPTION
FTST-BYPASS-BL	Black	Bypass Bracket for Flat Track
FTST-BYPASS-OB	Oil-Rubbed Bronze	
FTST-BYPASS-SS	Satin Stainless	



MFG #	DESCRIPTION	FINISH
FTST-BL-6-BYPASS	6' Bypass Black Flat Track W/ Standard Thrubolt	BLACK
FTST-BL-8-BYPASS	8' Bypass Black Flat Track W/ Standard Thrubolt	BLACK
FTST-SN-6-BYPASS	6' Bypass Satin Nickel Flat Track W/ Standard Thrubolt	SATIN NICKEL
FTST-SN-8-BYPASS	8' Bypass Satin Nickel Flat Track W/ Standard Thrubolt	SATIN NICKEL
FTBF-BL-63	Bifold Top Mount Flat Track Kit 63"	BLACK
FTBF-BL-75	Bifold Top Mount Flat Track Kit 72"	BLACK

FTBF Bypass



FT-BL



ROUND STAINLESS STEEL TRACK

Standard Kits

STAINLESS ROUND TRACK



- Polymer Wheels for quiet operation
- 200 lbs per Door
- 6' and 8' Options
- For Interior 1-3/8" or 1-3/4" Thick Doors
- All Fasteners Included
- Quality Boxed Packaging
- Satin Stainless finish only

PART NO.	DESCRIPTION	HANGERS	
RDTM-SS-6	6' Satin Stainless Round Track Kit	Top-Mount Hangers	KITS CONTAINS: Track (25mm Dia x 2mm thick), Hangers, Spacers, End Stops, Floor Guide, and all Necessary Fasteners
RDTM-SS-6	6' Satin Stainless Round Track Kit	Top-Mount Hangers	
RDST-SS-6	6' Satin Stainless Round Track Kit	Drop Hangers	KITS CONTAINS: Track (25mm Dia x 2mm thick), Hangers, Spacers, End Stops, Floor Guide, and all Necessary Fasteners
RDST-SS-8	8' Satin Stainless Round Track Kit		

See pages 12 and 13 for specifications and additional parts.



- Polymer Wheels for quiet operation
- Built-In Soft Close & Open
- 200 lbs per Door
- 6' Option Only in Stainless Steel
- For Interior 1-3/8" or 1-3/4" Thick Doors
- All Fasteners Included

PART NO.	DESCRIPTION	HANGERS	
RDTMDS-SS-6	6' Satin Stainless Round Track with Built In Soft Close	Top Mount w/ Soft Close	KITS CONTAINS: Track (25mm Dia x 2mm thick), Hangers, Spacers, End Stops, Floor Guide, and all Necessary Fasteners

The RDTMDS-SS-6 is only available as a kit. The extra components shown on page 14 are not compatible with this track set.

DOOR PULL & LOCKS



AH-RECPULL-6.5



AH-PRIVLATCH



AH-WMADJ-BL



AH-RDPULL

MFG #	DESCRIPTION	FINISH
AH-RDPULL-BL	Round Pull, 1.89" Dia., Pair	Black (Stainless)
AH-RDPULL-SS		Stainless
AH-PRIVLATCH-BL	Privacy Latch for Sliding Doors	Black
AH-PRIVLATCH-SS		Stainless
AH-RECPULL-BL-6.5	Rectangular Pull, 6.5"	Black
AH-RECPULL-SS-6.5		Stainless
AH-RECPULL-BL-8	Rectangular Pull, 8"	Black
AH-RECPULL-SS-8		Stainless
AH-COMBOPULL-SS	12" Round Bar Pull & 8" Recessed Pull Combo	Stainless
AH-COMBOPULL-BL		Black
AH-COMBOSQ-SS	12" Square Bar Pull & 8" Recessed Pull Combo	Stainless
AH-COMBOSQ-BL		Black
AH-BENTPULL-9-BL	9" Overall Length Pull	Black
AH-BENTPULL-12-BL	11.8" Overall Length Pull	Black
AH-ANGLEPULL-6.5-BL	6.4" Overall Length Pull	Black
AH-ANGLEPULL-7.75-BL	7.75" Overall Length Pull	Black
AH-WMADJ-BL	Wall Mounted Door Guide	Black



AH-RECPULL-8



AH-COMBOPULL



AH-COMBOSQ



AH-BENTPULL



AH-ANGLEPULL

COMPONENT PARTS

For Flat Track and Round Stainless



Hangers

FLAT TRACK HANGERS

PART NO.	FINISH	DESCRIPTION
FTST-HANGER-BL	Black	Traditional Drop Hanger Only
FTST-HANGER-OB	Oil-Rubbed Bronze	
FTST-HANGER-SS	Stainless Steel	
FTST-HANGER-SN	Satin Nickel	
FTTM-HANGER-BL	Black	Top Mount Hanger Only
FTTM-HANGER-SS	Satin Stainless	
FTTM-HANGER-SN	Satin Nickel	
FTSK-HANGER-BL	Black	Spoke Wheel Hanger Only

PART NO.	FINISH	DESCRIPTION
FTHS-HANGER-BL	Black	Horseshoe Hanger Only
FTHS-HANGER-OB	Oil-Rubbed Bronze	
FTSP-HANGER-BL	Black	Spear Hanger Only
FTSP-HANGER-OB	Oil-Rubbed Bronze	

ROUND STAINLESS HANGERS

RDTM-HANGER-SS	Stainless Steel	Top Mount Hanger Only
RDST-HANGER-SS	Stainless Steel	Drop Hanger Only

Flat Track Additional Parts

PHOTO	PART NO.	DESCRIPTION
	FTST-STOP-BL	Extra Stops for Flat Track
	FTST-STOP-OB	
	FTST-STOP-SS	
	FTST-STOP-SN	
	FT-GUIDE-BL	Extra Floor Guide, Black
	FT-ADJGD-BL	Adjustable Metal Guide, Black
	FT-METGD	Metal Guide, Black
	FT-BLOCK-BL	Anti-Jump Blocks, Black
	FT-CONNECT-BL	Connector Plate
	FT-CONNECT-OB	
	FT-CONNECT-SS	
	FTSK-STOP-BL	Extra Stop for Spoke Wheel Hanger, Black
	FT-WASHER-6-BL	6 mm Spacer Extender, 6/ Set
	FT-WASHER-6-OB	
	FT-WASHER-6-SS	
	FT-WASHER-6-SN	

Components

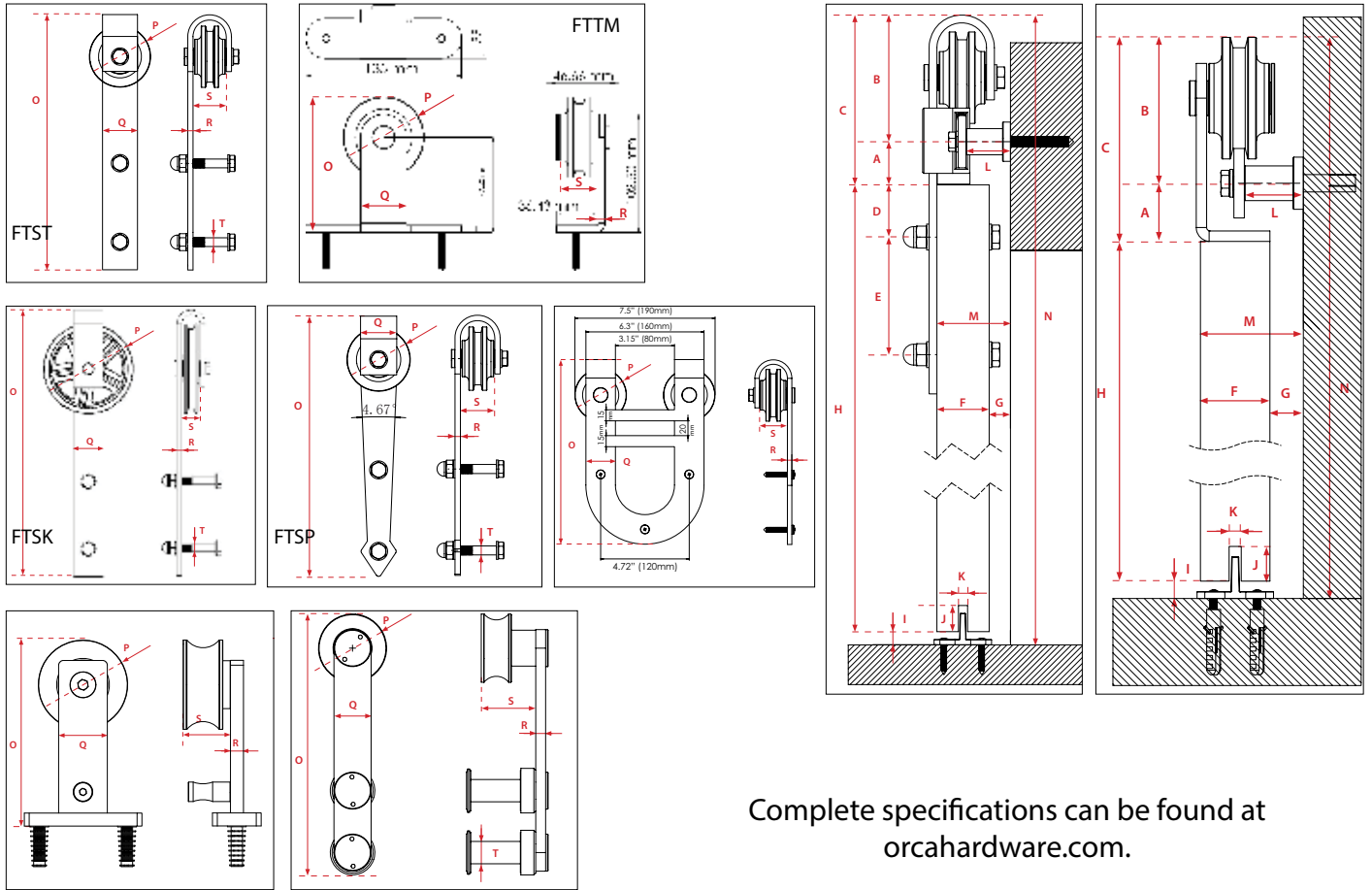
PHOTO	PART NO.	DESCRIPTION
	FT-WASHER-14-BL	14 mm Spacer Extender & Lag, 6/Set
	FT-WASHER-14-OB	
	FT-WASHER-14-SS	
	FT-WASHER-14-SN	
	FTST-SPACER-BL	Track Spacer W/ Lag Bolt For 1-3/8 - 1-3/4" Door
	FTST-SPACER-OB	
	FTST-SPACER-SN	
	FTST-SPACER-SS	
	FTSK-SPACER-BL	

Round Track Additional Parts

	RD-CONNECT-SS	Round Track Connector for Combining Tracks, Stainless Steel
	RDST-STOP-SS	Extra Stop for Drop Hangers, Stainless Steel
	RDTML-STOP-SS RDTMR-STOP-SS	Extra Stops for Top Mount Hangers, Stainless Steel
	RD-GUIDE-SS	Extra Floor Guide, Stainless Steel
	RDST-MOUNT-SS	Mounting Bracket for RDTM-SS, Stainless Steel
	RDSTE-MOUNT-SS	Mounting Bracket for RDST-SS, Stainless Steel

SPECIFICATIONS

For Flat Track and Round Stainless



Complete specifications can be found at orcahardware.com.

Measurement	FTST	FTSM	FTSK	FTSP	FTMS	RDTM	RDST
A	1.299" / 33mm	1.319" / 33.5mm	1.299" / 33mm	1.299" / 33mm	1.299" / 33mm	2.047" / 52mm	.984" / 25mm
B	3.858" / 98mm	3.307" / 84mm	6.122" / 155.5mm	3.858" / 98mm	3.858" / 98mm	1.673" / 62.5mm	2.401" / 61.5mm
C	5.157" / 131mm	4.626" / 117.5mm	7.421" / 188.5mm	5.157" / 131mm	5.157" / 131mm	4.508" / 114.5mm	3.405" / 86.5mm
D	1.575" / 40mm	-	1.575" / 40mm	1.575" / 40mm	.965" / 24.5mm	-	2.165" / 55mm
E	3.543" / 90mm	-	3.543" / 90mm	3.543" / 90mm	2.933" / 74.5mm	-	1.968" / 50mm
F	Door Thickness						
G	2.205" - F / 56-F*mm	2.441" - F / 62-F*mm	2.185" - F / 55.5-F*mm	2.205" - F / 56-F*mm	2.205" - F / 56-F*mm	1.53" - F/2 / 38.9-F/2*mm	2.275" - F / 57.8-F*mm
H	Height of Door						
I	.394" / 10mm	.394" / 10mm	.394" / 10mm	.394" / 10mm	.394" / 10mm	.394" / 10mm	.394" / 10mm
J	.787" / 20mm	.787" / 20mm	.787" / 20mm	.787" / 20mm	.787" / 20mm	.787" / 20mm	0.787" / 20mm
K	.275" / 7mm	.275" / 7mm	.275" / 7mm	.275" / 7mm	.275" / 7mm	.275" / 7mm	.275" / 7mm
L	1.338" / 34mm	1.338" / 34mm	1.575" / 40mm	1.338" / 34mm	1.338" / 34mm	.7086" / 18mm	.984" / 25mm
M	2.205" / 56mm	2.441" / 62mm	2.185" / 55.5mm	2.205" / 56mm	2.205" / 56mm	(F/2)+1.53" / (F/2)+38.9mm	1.88" / 2.275" / 47.8 / 57.8^mm
N	H + 5.551" / H+141mm	H + 5.019" / H+127.5mm	H + 7.815" / H+198.5mm	H + 5.551" / H+141mm	H + 5.551" / H+141mm	H + 4.901" / H+124.5mm	H + 3.799" / H+96.5mm
O	11.417" / 290mm	4.626" / 117.5mm	14.0157" / 356mm	11.319" / 287.5mm	9.842" / 250mm	4.508" / 114.5mm	8.287" / 210.5mm
P	2.756" / 70 dia.mm	2.756" / 70 dia.mm	4.724" / 120 dia.mm	2.756" / 70 dia.mm	2.756" / 70 dia.mm	2.165" / 55 dia.mm	2.165" / 55 dia.mm
Q	1.575" / 40mm	1.575" / 40mm	1.575" / 40mm	1.575" / 40mm	1.575" / 40mm	1.181" / 30mm	1.181" / 30mm
R	.236" / 6mm	.236" / 6mm	.236" / 6mm	.236" / 6mm	.236" / 6mm	.315" / 8mm	.315" / 8mm
S	1.496" / 38mm	1.496" / 38mm	.984" / 25mm	1.496" / 38mm	1.496" / 38mm	1.145" / 29.1mm	1.771" / 45mm
T	.394" / 10 dia.mm	-	.394" / 10 dia.mm	.394" / 10 dia.mm	-	-	.708" / 18mm

CABINET FLAT TRACK KIT

Hangers & Hardware to Add a Second Door to a Track



CABINET FLAT TRACK



FTMM-MINI-BL-5



FTSP-MINI-BL-5



FTLO-MINI-SN-5



FTST-MINI-SN-5

COMPLETE KITS

Part Number	Description
FTST-MINI-BL-5	5 FT Black Flat Track with Standard Drop Hangers
FTST-MINI-SN-5	5 FT Satin Nickel Flat Track with Standard Drop Hangers
FTMM-MINI-BL-5	5 FT Black Flat Track with Top Mount Hangers
FTSP-MINI-BL-5	5 FT Black Flat Track with Spear Hangers
FTLO-MINI-BL-5	5 FT Black Flat Track with Long Drop Hangers

GENERAL INFORMATION

<p>APPLICATIONS:</p> <p>Cabinet Sliding Doors or Panels up to 60 lbs.</p> <p>Maximum Door Thickness: 1-3/8"</p> <p>Single door or double door</p>	<p>FINISHES:</p> <p>Single Door Flat Black Satin Nickel (Only available on standard hangers)</p> <p>Double Door Kits Flat Black Satin Nickel (Only available on standard hangers)</p>	<p>Single Door Track Kit includes:</p> <p>5' Track Hangers (2) Spacers End Stops</p> <p>Anti-Jump Blocks All Fasteners Door Guides Instructions</p> <p>Double Door Kit includes:</p> <p>Hangers (2) End Stops Anti-Jump Blocks</p> <p>All Fasteners Door Guides</p>
--	--	---

For information about Orca Hardware's product warranty visit www.orcahardware.com/warranty



FTLO-MINI-BL-5 and
FTLO-MINI-BL-DDK

HOW TO ORDER

Single Door Kits

Hanger Type	Finish	Doors
ST (Std Drop Hanger)	Flat Black	5' (Single Door)
TM (Top Mount)	Satin Nickel	
LO (Long Drop)		
SP (Spear)		

Double Door Applications

ORDER FULL SINGLE DOOR KIT + DOUBLE DOOR KIT

Hanger Type	Finish	Doors
ST (Std Drop Hanger)	Flat Black	DDK (Double Door)
TM (Top Mount)	Satin Nickel	
LO (Long Drop)		
SP (Spear)		



FTSP-MINI-BL-5 and
FTSP-MINI-BL-DDK

DOUBLE DOOR KITS

Part Number	Description
FTST-MINI-BL-DDK	Black Double Door Kit for Standard Drop Hangers
FTST-MINI-SN-DDK	Satin Nickel Double Door Kit for Standard Drop Hangers
FTTM-MINI-BL-DDK	Black Double Door Kit for Top Mount Hangers
FTSP-MINI-BL-DDK	Black Double Door Kit for Spear Hangers
FTLO-MINI-BL-DDK	Black Double Door Kit for Long Drop Hangers

POCKET DOOR HARDWARE

3-Wheel Hangers, 200 lbs Pocket Door Frame Kits



POCKET DOOR HARDWARE



PK1200-BB



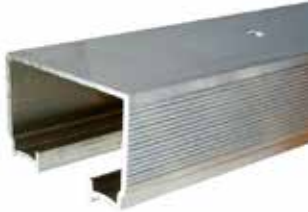
POCKET DOOR FRAME COMPLETE KITS FOR THREE FOOT (3') DOORS

Part Number	Description
PK1200-80-BB	6' 8" Pocket Door Frame Kit with 2 Ball Bearing Rollers, 200LB Capacity, for 2x4 Studs
PK1200-84-BB	7' Pocket Door Frame Kit with 2 Ball Bearing Rollers, 200LB Capacity, for 2x4 Studs
PK1200-96-BB	8' Pocket Door Frame Kit with 2 Ball Bearing Rollers, 200LB Capacity, for 2x4 Studs
PK1260-80-BB	6' 8" Pocket Door Frame Kit with 2 Ball Bearing Rollers, 200LB Capacity, for 2x6 Studs
PK1260-84-BB	7' Pocket Door Frame Kit with 2 Ball Bearing Rollers, 200LB Capacity, for 2x6 Studs
PK1260-96-BB	8' Pocket Door Frame Kit with 2 Ball Bearing Rollers, 200LB Capacity, for 2x6 Studs

POCKET DOOR FRAME COMPLETE KITS FOR FOUR FOOT (4') DOORS

Part Number	Description
PK1204-80-BB	6' 8" Pocket Door Frame Kit with 2 Ball Bearing Rollers, 200LB Capacity, for 2x4 Studs
PK1204-84-BB	7' Pocket Door Frame Kit with 2 Ball Bearing Rollers, 200LB Capacity, for 2x4 Studs
PK1204-96-BB	8' Pocket Door Frame Kit with 2 Ball Bearing Rollers, 200LB Capacity, for 2x4 Studs
PK1248-80-BB	6' 8" Pocket Door Frame Kit with 2 Ball Bearing Rollers, 200LB Capacity, for 2x6 Studs
PK1248-84-BB	7' Pocket Door Frame Kit with 2 Ball Bearing Rollers, 200LB Capacity, for 2x6 Studs
PK1248-96-BB	8' Pocket Door Frame Kit with 2 Ball Bearing Rollers, 200LB Capacity, for 2x6 Studs

See pages 27-29 for specifications and additional parts.




PK1200-Track






BULK TRACK AND PARTS

PK1200-TR-48	48" Sliding Door Aluminum Track Only for 1225 Rollers
PK1200-TR-60	60" Sliding Door Aluminum Track Only for 1225 Rollers
PK1200-TR-72	72" Sliding Door Aluminum Track Only for 1225 Rollers
PK1200-TR-96	96" Sliding Door Aluminum Track Only for 1225 Rollers
PK1200-TR-120	120" Aluminum Track Only for 1225 Rollers
PK1200-TR-144	144" Aluminum Track Only for 1225 Rollers
PK1200-TR-192	192" Aluminum Track Only for 1225 Rollers
PK-1225-KIT	Pocket Door Part Set, Triple Wheel Rollers & Hardware, 1" Ball Bearing Wheels, 200LB Capacity
PK-1225-BB	Single Roller Only, Triple Wheel Roller for Pocket Door, 1" Ball Bearing Wheel, 200LB Capacity
PKSC-1216	Soft Close for 1200 Series Track
BF1225-4DR	4 Door Bi-Fold Hardware Pack for PK1200 Track (75 lbs capacity)

1200 SERIES ADDITIONAL COMPONENT PARTS

PART NO.	DESCRIPTION	
PK1211-VERG	Converging Door Kit for 1200 Pocket Door Frame	
PK1212-ADT	Door Adaptor Kit for when using a 1-3/4" Door	
PK1213-ADJGD	Bottom Door Guides	
PK1214-STOP	Mill Stops for Converging Door	

PART NO.	DESCRIPTION	
PK1215-BUMP	Door Bumper	
PK1216-WGU	Wall Mounted Adjustable Door Guide; Plastic	
PK1218-GU	Plastic Floor Guide w/ Screws	
PK1238-SPCR	Spacer Plate for pocket frame when using 1-3/8" Door	

See page 27 for additional parts.

BULK HEAVY DUTY POCKET DOOR HARDWARE



4 Wheel Hangers, 250 lbs Track & Hardware Kits

250 LB. POCKET DOOR

BULK TRACK AND PARTS

Part Number	Description
PK1660	60" Track Only for 4 Wheel Roller
PK1672	72" Track Only for 4 Wheel Roller
PK1696	96" Track Only for 4 Wheel Roller
PK16120	120" Track Only for 4 Wheel Roller
PK16144	144" Track Only for 4 Wheel Roller
PK1625-BB	Hardware Set for Sliding Pocket Door, 4 Wheel Ball Bearing Rollers and Hardware 250LB
PK1620-KIT	4 Wheel Plastic Rollers Set and Hardware (150 lbs)
PKSC1616	Soft Close for 1600 Series Track
PK1615	Black Rubber Stop With Screw
PK1638-DRGD	Door Guide For 1-3/8" Door Thickness
PK1634-DRGD	Door Guide For 1-3/4" Door Thickness



PK1638-DRGD



PK1600 Series Track



PK1625-BB Hardware Set



PKSC1616 Soft Close

See page 27-29 for specifications and additional parts.



BYPASS DOOR HARDWARE KIT 4-WHEEL HANGERS, 250 LBS BYPASS

Part Number	Description
BPK1600-48	48", 250 Lbs. Bypass Door Hardware Kit, 1-3/8" to 1-3/4" Door Thickness
BPK1600-60	60", 250 Lbs. Bypass Door Hardware Kit, 1-3/8" to 1-3/4" Door Thickness
BPK1600-72	72", 250 Lbs. Bypass Door Hardware Kit, 1-3/8" to 1-3/4" Door Thickness



BULK TRACK AND PARTS

Part Number	Description
PK1660	60" Track Only for 4 Wheel Roller
PK1672	72" Track Only for 4 Wheel Roller
PK1696	96" Track Only for 4 Wheel Roller
PK16120	120" A Track Only for 4 Wheel Roller
PK16144	144" Track Only for 4 Wheel Roller



HARDWARE SET FOR SLIDING POCKET DOOR

Part Number	Description
PK-1625-BB	Hardware Set for Sliding Pocket Door, 4 Wheel Ball Bearing Rollers and Hardware 250LB
PK1620-KIT	Hardware Set for Sliding Pocket Door, 4 Wheel Plastic Rollers and Hardware, 150 lbs
PK1218-GU	Plastic Floor Guide With Screws
17-1655	Bypass Track Install Guide, Plastic
PK1614-STOP	4 Wheel Roller Stop



BYPASS DOOR HARDWARE

3-Wheel Hangers, 150 lbs Bypass Kits



150 LB. BYPASS KITS

SLIDING DOOR HARDWARE SETS WITH 3-WHEEL HANGERS

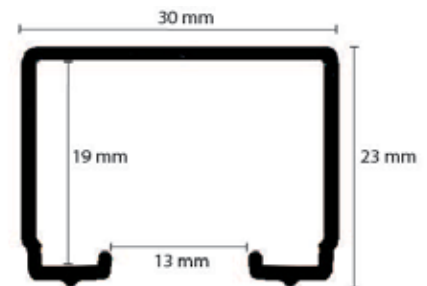
Part Number	Description
BPK1100-48	Contains 2 48" Tracks, 4 3-wheel ball bearing hangers, stops, floor guide, pulls, wrench, fasteners
BPK1100-60	Contains 2 60" Tracks, 4 3-wheel ball bearing hangers, stops, floor guide, pulls, wrench, fasteners
BPK1100-72	Contains 2 72" Tracks, 4 3-wheel ball bearing hangers, stops, floor guide, pulls, wrench, fasteners
BPK1100-96	Contains 2 96" Tracks, 4 3-wheel ball bearing hangers, stops, floor guide, pulls, wrench, fasteners
BPK1100-TR-120	BPK1100 Series 120" Track Only
BPK1100-TR-144	BPK1100 Series 144" Track Only
PK1125-BB	Triple Wheel Roller
BPK1100-3DR	Hardware Pack For Adding 3rd Door To System, Includes (1) Stop, (1) Guide, (1) Angle Stop, (1) Pull, (2) Hangers. Can be used for single door applications when bought with bulk track
BPK1100-4DR	Hardware Pack For Adding 3rd & 4th Door To System, Includes (2) Stops, (1) Guide, (1) Angle Stop, (2) Pulls, (4) Hangers. Can be used for 2 door applications when bought with bulk track
PK1218-GU	Plastic Floor Guide With Screws



BPK1100 Track



Hangers & Stops
(flush pulls, floor guide & fasteners not shown)



BPK1100
Track Profile

SPECIFICATIONS

- For two (2) Sliding Closet Doors each with a minimum door thickness of 1-3/8" weighing up to 150 lbs. each
- Four (4) 3-wheel hangers - 3/4" wheel diameter

BYPASS DOOR HARDWARE

Track with Fascia, Various Weight Capacities

BYPASS KITS WITH FASCIA

125 LB BYPASS TRACK KITS WITH FASCIA, 3-WHEEL ROLLERS



Part Number	Description
BPK1200F-48	48" Bypass with Fascia Standard Rollers, 1-3/8" Doors
BPK1200F-60	60" Bypass with Fascia Standard Rollers, 1-3/8" Doors
BPK1200F-72	72" Bypass with Fascia Standard Rollers, 1-3/8" Doors
BPK1200F-96	96" Bypass with Fascia Standard Rollers, 1-3/8" Doors

60 LB ALUM. BYPASS KITS W/ FASCIA - SLOT ADJUST HANGERS



BY1300AF-48	48" Aluminum Single Roller Bypass Kit - Small Fascia
BY1300AF-60	60" Aluminum Single Roller Bypass Kit - Small Fascia
BY1300AF-72	72" Aluminum Single Roller Bypass Kit - Small Fascia

60 LB ALUM BYPASS KIT W/ WOOD HEADER



BY1300AH-48	48" Aluminum Bypass Kit with Wood Header
BY1300AH-60	60" Aluminum Bypass Kit with Wood Header
BY1300AH-72	72" Aluminum Bypass Kit with Wood Header

200 LB WALL MOUNT TRACK KITS, 3-WHEEL ROLLERS



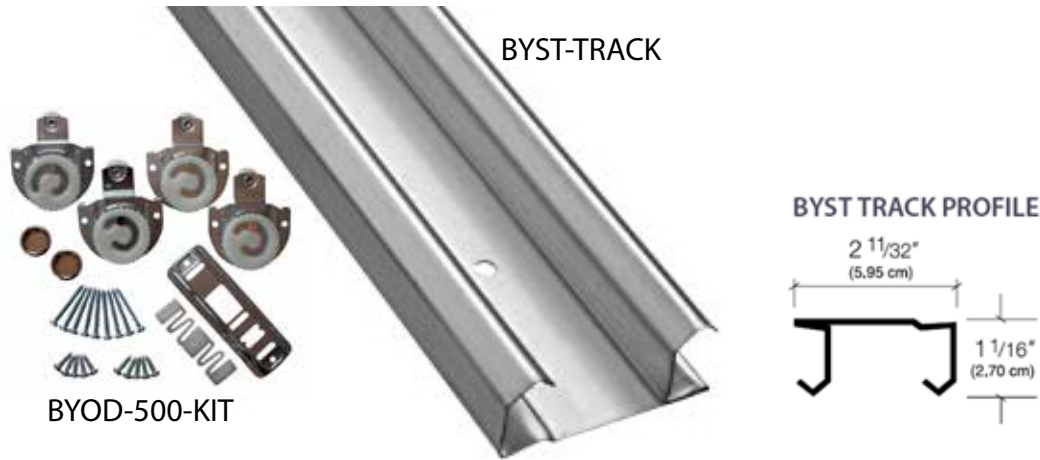
WM1200F-60	60" Wall Mount Track With Fascia
WM1200F-72	72" Wall Mount Track With Fascia
WM1200F-96	96" Wall Mount Track With Fascia

BYPASS DOOR HARDWARE

60 lbs Dial-Adjust Hangers



60 LB. DIAL ADJUST BYPASS



SLIDING DOOR HARDWARE SETS WITH DIAL-ADJUST HANGERS

Part Number	Description
BYST-500-48	48" Bypass Door Hardware Complete Kit Dial-Adjust Offset Dials, 60 lbs
BYST-500-60	60" Bypass Door Hardware Complete Kit Dial-Adjust Offset Dials, 60 lbs
BYST-500-72	72" Bypass Door Hardware Complete Kit Dial-Adjust Offset Dials, 60 lbs
BYST-500-96	96" Bypass Door Hardware Complete Kit Dial-Adjust Offset Dials, 60 lbs

SLIDING DOOR BULK TRACK AND DIAL-ADJUST HANGERS

Used with BYST-(*)-1 Bulk Track. Aluminum track option coming Q3

BYOD-500-KIT	Bypass Door Rollers For 2 Piece Door W/ Floor Guide, 2-7/16" Dials, 2-1/8" Dials
BYOD1-716	Bypass Door Dial-Adjust #1 Hanger Only, Adjustable 7/16"
BYOD2-18	Bypass Door Dial-Adjust #2 Hanger Only, Adjustable 1/8"

SPECIFICATIONS

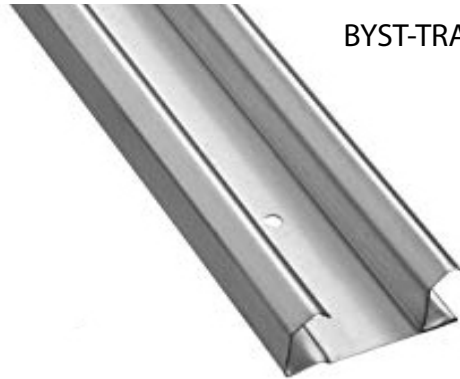
- For two (2) Sliding Closet Doors each with a thickness of 3/4" to 1-3/8" weighing up to 60 lbs. each
- Four (4) Dial-adjust hangers make it easy to adjust height and align doors without use of special tools. Up to 5/16" vertical door adjustment
- Galvanized Steel V-shaped track is jump proof & resists corrosion See page 29 for additional specification

BYPASS DOOR HARDWARE

60 lbs Slot-Adjust Hangers



BY1000-HDW



BYST-TRACK



SLIDING DOOR HARDWARE SETS WITH SLOT ADJUST HANGERS

Part Number	Description
BY1300-48	48" Bypass Door Hardware Complete Kit Slot-Adjust Offset Dials, 60 lbs
BY1300-60	60" Bypass Door Hardware Complete Kit Slot-Adjust Offset Dials, 60 lbs
BY1300-72	72" Bypass Door Hardware Complete Kit Slot-Adjust Offset Dials, 60 lbs

SLIDING DOOR BULK TRACK AND SLOT-ADJUST HANGERS

BYST-48-01	48" Bypass Track Only For Either Dial-Adjust or Slot-Adjust Hangers
BYST-60-01	60" Bypass Track Only For Either Dial-Adjust or Slot-Adjust Hangers
BYST-72-01	72" Bypass Track Only For Either Dial-Adjust or Slot-Adjust Hangers
BYST-96-01	96" Bypass Track Only For Either Dial-Adjust or Slot-Adjust Hangers
BYST-120-01	120 Inch Steel Track Only for BYOD-500-KIT or BY1000-HDW
BY1000-HDW	Hardware Kit for BYST Track Contains: 2ea 1/4" Offset Rollers & 2ea 1/2" Offset Rollers, Screws, 2ea Finger Pulls, and Floor Guide
BY1012-HDW	Bypass Hardware Kit for BYST Track, Contains PK1218-GU Floor Guide, 4ea BYSA-12 Single Wheel Roller, & 2 Ea. TH-FPULL-15 Round Flush Pull
BYSA-14	Single Wheel Roller, Hangs on BYST Tracks, Side Hanging, Slot Adjustable, 1/4" Offset, 60Lb Capacity
BYSA-12	Single Wheel Roller, Hangs on BYST Tracks, Side Hanging, Slot Adjustable, 1/2" Offset, 60Lb Capacity

SPECIFICATIONS

- For two (2) Sliding Closet Doors each with a thickness of 3/4" to 1-3/8" weighing up to 60 lbs. each
- Four (4) Adjustable hangers make it easy to adjust height and align doors without use of special tools. Up to 5/16" vertical door adjustment
- Galvanized Steel V-shaped track is jump proof & resists corrosion

See page 29 for additional specification

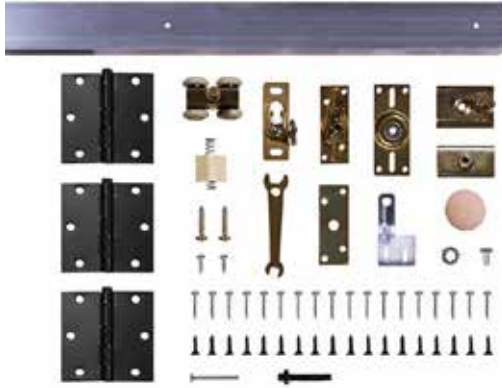
60 LB. SLOT ADJUST BYPASS

BIFOLD DOOR HARDWARE

Bifold Track Hardware, 30, 75, 125 lbs



BIFOLD TRACK KITS



BFK1602



BF3030

125LB PER PANEL BIFOLD SETS

Part Number	Description
BFK1602-36	BB 4 Wheel Bi-Fold Kit for 2 Doors, 36"
BFK1602-48	BB 4 Wheel Bi-Fold Kit for 2 Doors, 48"
BFK1604-48	BB 4 Wheel Bi-Fold Kit for 4 Doors, 48"
BFK1604-60	BB 4 Wheel Bi-Fold Kit for 4 Doors, 60"
BFK1604-72	BB 4 Wheel Bi-Fold Kit for 4 Doors, 72"

75LB PER PANEL BIFOLD HARDWARE

BF1225-4DR	4 Door Bi-Fold Hardware Pack for PK1200 Track (See page 19 for track)
------------	---

30LB PER PANEL BIFOLD TRACK AND HARDWARE

BF3030	30" Bi-Fold Track Only
BF3036	36" Bi-Fold Track Only
BF3048	48" Bi-Fold Track Only
BF3060	60" Bi-Fold Track Only
BF3072	72" Bi-Fold Track Only
BF3002-KIT	2 Door Hardware Bag Set for BF3000 Bi-Fold Track
BF3004-KIT	4 Door Hardware Bag Set for BF3000 Bi-Fold Track

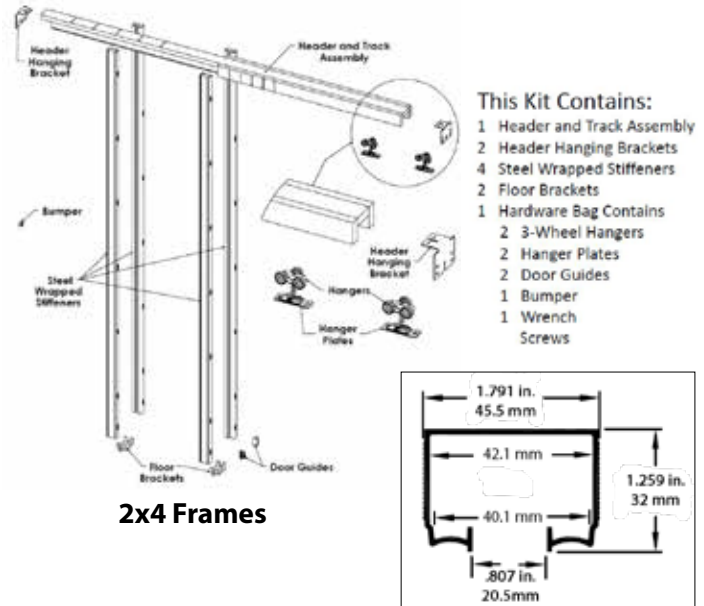
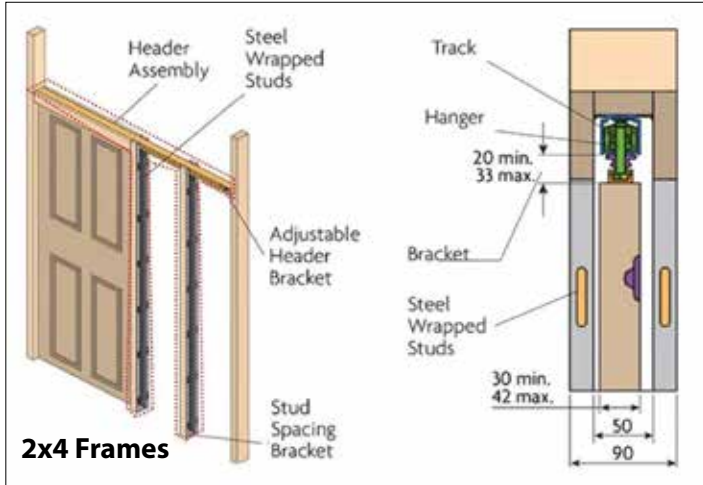
Part Number	Description		
TH-FPULL-10B	Flush Pull	2-1/8" Dia Round Flush Pull, Oil-Rubbed Bronze	
TH-FPULL-15	Flush Pull	2-1/8" Diameter Round Flush Pull, Satin Nickel	
TH-FPULL-26	Flush Pull	2-1/8" Diameter Round Flush Pull, Polished Chrome	
TH-FPULL-26D	Flush Pull	2-1/8" Diameter Round Flush Pull, Satin Chrome	
TH-FPULL-BL	Flush Pull	2-1/8" Diameter Round Flush Pull, Black	
BY-FLGU	Bypass Guide	Adjustable Floor Guide with Metal Bracket	
BY-CPTRSR	Bypass Carpet Riser	By-Pass Door Metal Carpet Riser, Used With BY-FLGU Bypass Guide	
BY-GUIDTR-72	Bottom Channel Guide Track	Aluminum Bottom Channel Guide Track for inserting into floor. Protects floor and provides for smoother travel of the door. Use with BY-BOTGD guide for flush look.	
BY-GUIDTR-96			
BY-GUIDTR-106			
BY-GUIDTR-144			
BY-BOTGD	By-Pass Door Guide	Guide for use with BY-GUIDTR Channel Guide Track	
BP1618-ADGU	HD Adjustable Floor Guide	For doors 1-3/8" to 1-3/4" thick, bypass floor guide for 1600 Series TRack	
BY-CATCH	Multi Door Pull Catch	Multi Door Pull Catch for Bypass Door Configurations. Used in Stacking Door Bypass Systems	
17-1655	Bypass Track Install Guide	Plastic Spacer guide helps align two 1600 series track when installing for 1-3/4" door applications.	
PK1614-STOP	4 Wheel Roller Stop	4 Wheel Roller Stop for use with PK1600 series track and rollers.	
PK1218-GU	Plastic Floor Guide With Screws	Plastic Floor Guide With Screws, 1200	

SPECIFICATIONS

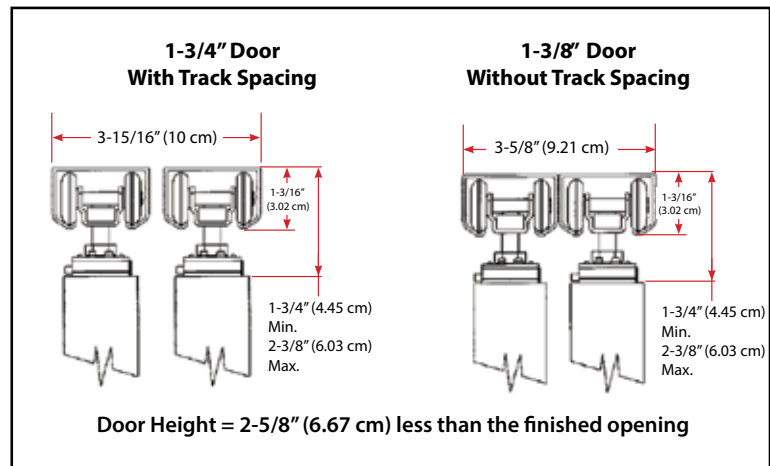
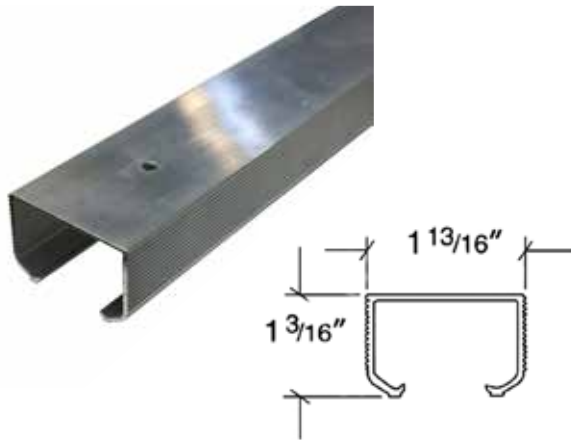
Pocket and Bypass Track Hardware



1200 SERIES SPECS



1600 SERIES SPECS

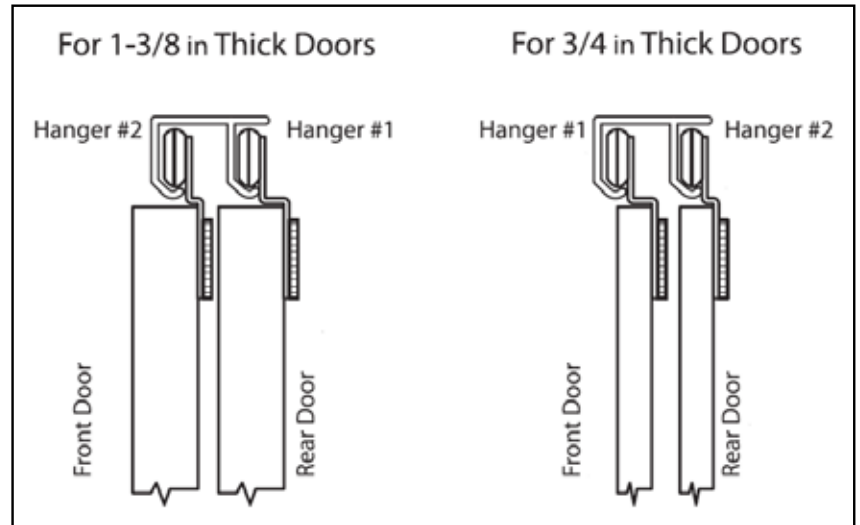


SPECIFICATIONS

- For two (2) Sliding Closet Doors each with a thickness of 3/4" to 1-3/8" weighing up to 60 lbs. each
- Four (4) Dial-adjust hangers make it easy to adjust height and align doors without use of special tools. Up to 5/16" vertical door adjustment
- Galvanized Steel V-shaped track is jump proof & resists corrosion

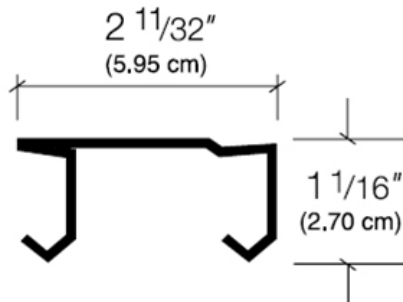
BYST-500 SERIES SPECS

DIAL ADJUST



BYST Track is used for both BYST-500 & BY1300 Series

BYST TRACK PROFILE



BY1300 SERIES SPECS

SLOT ADJUST

SPECIFICATIONS

- For two (2) Sliding Closet Doors each with a thickness of 3/4" to 1-3/8" weighing up to 60 lbs. each
- Four (4) Adjustable hangers make it easy to adjust height and align doors without use of special tools. Up to 5/16" vertical door adjustment
- Galvanized Steel V-shaped track is jump proof & resists corrosion

