

# INTERIOR FLAT & ROUND TRACK HARDWARE



# POCKET, SLIDING, BYPASS TRACK HARDWARE

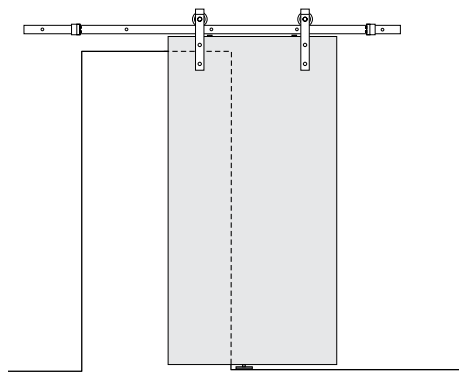


# GENERAL INFORMATION

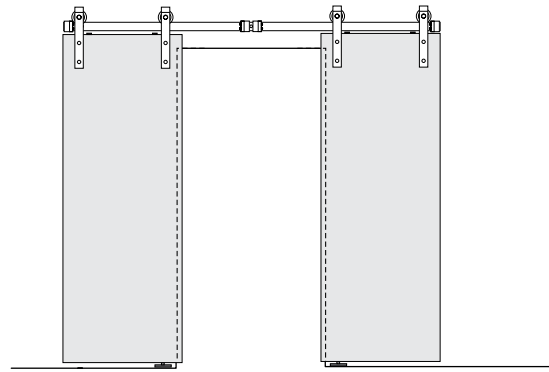
|   |  |  |        |   |           |               |         |             |           |              |  |  |
|---|--|--|--------|---|-----------|---------------|---------|-------------|-----------|--------------|--|--|
| <p><b>APPLICATIONS:</b></p> <p>Interior Sliding Doors up to 200 lbs.<br/>         Maximum Door Thickness: 1-3/4"<br/>         1 Door Standard<br/>         2 Door Option with either a double door kit or extra hangers, stops, guide</p> | <p><b>FINISHES:</b></p> <p><b>Flat Track</b><br/>         Black<br/>         Oil-Rubbed Bronze<br/>         Satin Stainless<br/>         Satin Nickel</p> <p><b>Round Track</b><br/>         Stainless Steel</p> | <p><b>TRACK KITS INCLUDE:</b></p> <table border="0"> <tr> <td>Track*</td> <td>Connector Plate<br/><i>(for optional use, only in FT Kits)</i></td> </tr> <tr> <td>2 Hangers</td> <td>All Fasteners</td> </tr> <tr> <td>Spacers</td> <td>Door Guides</td> </tr> <tr> <td>End Stops</td> <td>Instructions</td> </tr> <tr> <td>Anti-Jump Blocks<br/><i>(only in Flat Track Kits)</i></td> <td></td> </tr> </table> <p style="text-align: right;">*1 piece except where noted</p> | Track* | Connector Plate<br><i>(for optional use, only in FT Kits)</i> | 2 Hangers | All Fasteners | Spacers | Door Guides | End Stops | Instructions | Anti-Jump Blocks<br><i>(only in Flat Track Kits)</i> |  |
| Track*  | Connector Plate<br><i>(for optional use, only in FT Kits)</i>  |  |        |   |           |               |         |             |           |              |  |  |
| 2 Hangers   | All Fasteners  |  |        |   |           |               |         |             |           |              |  |  |
| Spacers   | Door Guides  |  |        |   |           |               |         |             |           |              |  |  |
| End Stops   | Instructions   |  |        |   |           |               |         |             |           |              |  |  |
| Anti-Jump Blocks<br><i>(only in Flat Track Kits)</i>  |  |  |        |   |           |               |         |             |           |              |  |  |

## HOW TO ORDER COMMON APPLICATIONS

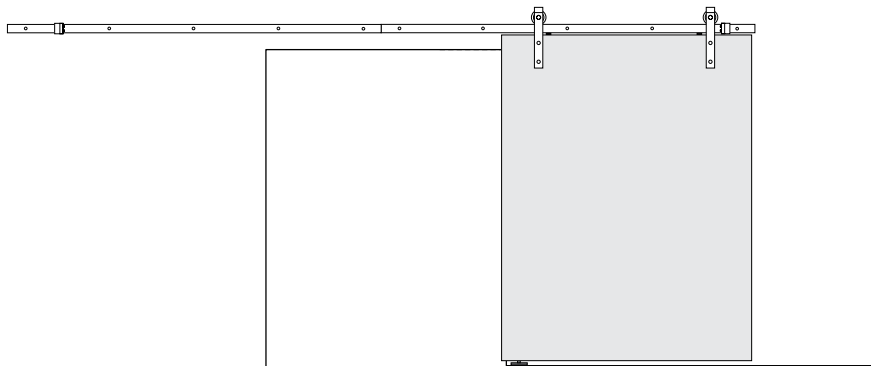
Doors not included.



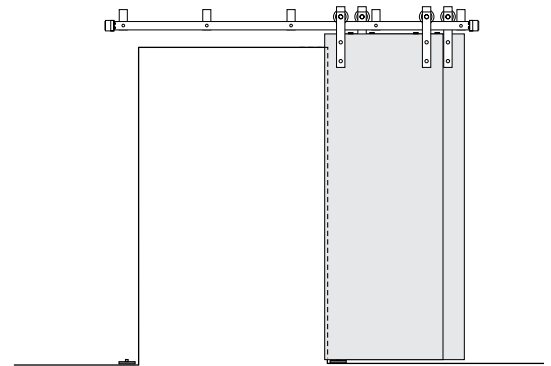
Single Door Covers Opening  
Order 1 Complete Kit



Two Doors Covers Opening  
Order 1 Complete Kit & 1 Double Door Kit



Single Door Covering A Wide Opening  
Order 2 Complete Kits



Two Doors Covers Opening as Bypass  
Order 2 Complete Kits & Bypass Brackets

### More Ordering Examples

#### Order Standard Kit + order parts shown above

**Example 1:** Single Door with Softclose: Order 1 Complete Kit and Soft Close Adapter

**Example 2:** 2 Doors on single 8' Round Track: Order 1 8' Complete Kit, 2 hangers, 2 stops, 1 guide, 1 connector

**Example 3:** Horseshoe (or Spear) Hangers: Order FTST Complete Kit plus 2 Horseshoe Hangers

- Polymer Wheels for quiet operation
- 200 lbs per Door
- 6', 8' & 10' Options
- For Interior 1-3/8" or 1-3/4" Thick Doors
- All Fasteners Included, including optional connector plate
- Additional Options for: Soft Close & Soft Open, Double Door Applications, & Bypass Applications



FLAT TRACK

## Finishes



| PART NO.   | DESCRIPTION                         |   |
|------------|-------------------------------------|---|
| FTST-BL-6  | 6' Black Flat Track Kit             |   |
| FTST-BL-78 | 6' 6" Black Flat Track Kit          |   |
| FTST-BL-8  | 8' Black Flat Track Kit             |   |
| FTST-OB-6  | 6' Oil-Rubbed Bronze Flat Track Kit | <b>KITS CONTAIN:</b><br>Track (40mm H x 6mm W), Traditional Hangers, Spacers, End Stops, Floor Guides, Anti-Jump Blocks, Track Connector, and all Necessary Fasteners |
| FTST-OB-8  | 8' Oil-Rubbed Bronze Flat Track Kit |   |
| FTST-SS-6  | 6' Satin Stainless Flat Track Kit   |   |
| FTST-SS-8  | 8' Satin Stainless Flat Track Kit   |   |
| FTST-SN-6  | 6' Satin Nickel Flat Track Kit      |   |
| FTST-SN-8  | 8' Satin Nickel Flat Track Kit      |   |

| PART NO.    | DESCRIPTION                         |   |
|-------------|-------------------------------------|---|
| FTST-BL-8C  | 8' Black Flat Track Kit             | <b>KITS CONTAIN:</b><br>Two 4' Tracks (40mm H x 6mm W), Traditional Hangers, Spacers, End Stops, Floor Guides, Anti-Jump Blocks, Track Connector, and all Necessary Fasteners |
| FTST-OB-8C  | 8' Oil-Rubbed Bronze Flat Track Kit |   |
| FTST-SS-8C  | 8' Satin Stainless Flat Track Kit   |   |
| FTST-BL-10C | 10' Black Flat Track Kit            | <b>KITS CONTAIN:</b><br>Two 5' Tracks (40mm H x 6mm W), Traditional Hangers, Spacers, End Stops, Floor Guides, Anti-Jump Blocks, Track Connector, & all Necessary Fasteners   |
| FTST-SS-10C | 10' Satin Stainless Flat Track Kit  |   |
| FTST-SN-10C | 10' Satin Nickel Flat Track Kit     |   |



See pages 12 and 13 for specifications and additional parts.

# TOP MOUNT HANGER

Standard Kits

FLAT TRACK



- Polymer Wheels for quiet operation
- 200 lbs per Door
- 6'6" and 8' Options
- For Interior 1-3/8" or 1-3/4" Thick Doors Only
- All Fasteners Included, including optional connector plate
- Additional Options for: Soft Close & Soft Open, Double Door Applications, & Bypass Applications

## Finishes



| PART NO.    | DESCRIPTION                         |
|-------------|-------------------------------------|
| FTTM-BL-6-6 | 6'6" Black Flat Track Kit           |
| FTTM-BL-8   | 8' Black Flat Track Kit             |
| FTTM-SS-6-6 | 6'6" Satin Stainless Flat Track Kit |
| FTTM-SS-8   | 8' Satin Stainless Flat Track Kit   |
| FTTM-SN-6-6 | 6'6" Satin Nickel Flat Track Kit    |
| FTTM-SN-8   | 8' Satin Nickel Flat Track Kit      |

**KITS CONTAIN:**  
Track (40mm H x 6mm W), Top Mount Hangers, Spacers, End Stops, Floor Guides, Anti-Jump Blocks, Track Connector, and all Necessary Fasteners

| PART NO.   | DESCRIPTION                       |
|------------|-----------------------------------|
| FTTM-BL-8C | 8' Black Flat Track Kit           |
| FTTM-SS-8C | 8' Satin Stainless Flat Track Kit |

**KITS CONTAIN:**  
Two 4' Tracks (40mm H x 6mm W), Top Mount Hangers, Spacers, End Stops, Floor Guides, Anti-Jump Blocks, Track Connector, and all Necessary Fasteners

See pages 12 and 13 for specifications and additional parts.

# SPOKE WHEEL HANGER

Standard Kits

- Polymer Wheels for quiet operation
- 200 lbs per Door
- 6' and 8' Options
- For Interior 1-3/8" or 1-3/4" Thick Doors
- All Fasteners Included
- Additional Options for: Soft Close & Soft Open & Double Door Applications
- Available only in Black

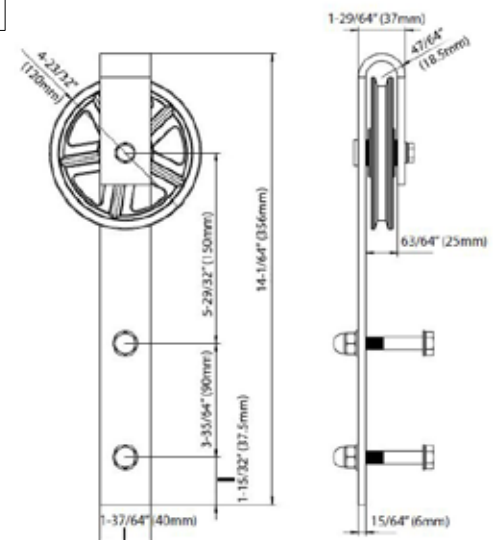


FLAT TRACK

| PART NO.   | DESCRIPTION                         |   |
|------------|-------------------------------------|---|
| FTSK-BL-6  | 6' Black Spoke Wheel Flat Track Kit | <b>KITS CONTAIN:</b><br>Track (40mm H x 6mm W), Spoke Wheel Hangers, Spacers, End Stops, Floor Guides, Anti-Jump Blocks, Track Connector, and all Necessary Fasteners         |
| FTSK-BL-8  | 8' Black Spoke Wheel Flat Track Kit |   |
| FTSK-BL-8C | 8' Black Spoke Wheel Flat Track Kit | <b>KITS CONTAIN:</b><br>Two 4' Tracks (40mm H x 6mm W), Spoke Wheel Hangers, Spacers, End Stops, Floor Guides, Anti-Jump Blocks, Track Connector, and all Necessary Fasteners |



See pages 12 and 13 for specifications and additional parts.



# HANGER OPTIONS

Hangers Only - Order 2 Optional Hangers along with a Standard Kit

FLAT TRACK



## Spear Hanger

- Polymer Wheels for quiet operation
- 200 lbs per Door
- For Interior 1-3/8" or 1 3/4" Thick Doors
- 2 lengths of door bolts included
- Order main track kit separately

| PART NO.       | FINISH            | DESCRIPTION                        |
|----------------|-------------------|------------------------------------|
| FTSP-HANGER-BL | Black             | Spear Hanger Option for Flat Track |
| FTSP-HANGER-OB | Oil-Rubbed Bronze |                                    |

## Horse Shoe Hanger

- Polymer Wheels for quiet operation
- 200 lbs per Door
- For Interior 1-3/8" or 1 3/4" Thick Doors
- 2 lengths of door bolts included
- Order main track kit separately



See pages 12 and 13 for specifications and additional parts.

| PART NO.       | FINISH            | DESCRIPTION                             |
|----------------|-------------------|---|
| FTHS-HANGER-BL | Black             | Horse Shoe Hanger Option for Flat Track |
| FTHS-HANGER-OB | Oil-Rubbed Bronze |   |

**Order 2 Optional Hangers along with a Standard Kit**

## Double Door Hanger Kits for Flat Track

Add to a Complete Kit for applications of 2 doors on a single track



| PART NO.    | DESCRIPTION                                       |  |
|-------------|---|--|
| FTST-DDK-BL | Black Standard Double Door Hanger Kit             | <b>KITS CONTAIN:</b><br>Two Hangers, Two End Stops, Two Floor Guide, Two Anti-Jump Blocks, and all Necessary Fasteners |
| FTST-DDK-OB | Oil-Rubbed Standard Bronze Double Door Hanger Kit |  |
| FTST-DDK-SS | Stainless Steel Standard Double Door Hanger Kit   |  |
| FTTM-DDK-BL | Black Top Mount Double Door Hanger Kit            |  |
| FTTM-DDK-SS | Stainless Steel Top Mount Double Door Hanger Kit  |  |
| FTSK-DDK-BL | Black Spoke Wheel Double Door Hanger Kit          |  |

For double door applications where kits are not available, order hangers, stops, guides, and anti-jump blocks.

## Soft-Close & Open

- Closes door quietly and smoothly
- 2 per set, for soft close and soft open



| PART NO.        | FINISH | DESCRIPTION                       |
|-----------------|--------|-----------------------------------|
| FT-SOFTCLOSE-BL | Black  | Soft-Close for Flat Track (2/set) |
| FT-SOFTCLOSE-GR | Grey   |                                   |



## Bypass Bracket

- Allows Two Doors to Bypass
- One Bypass Bracket Required for each Spacer
- 5 Brackets for 6' Track
- 5 Brackets for 6'6" Track
- 6 Brackets for 8' Track (8 & 8C)
- 8 Brackets for 10C Track (10C)

| PART NO.       | FINISH            | DESCRIPTION                   |
|----------------|-------------------|-------------------------------|
| FTST-BYPASS-BL | Black             | Bypass Bracket for Flat Track |
| FTST-BYPASS-OB | Oil-Rubbed Bronze |                               |
| FTST-BYPASS-SS | Satin Stainless   |                               |

# ROUND STAINLESS STEEL TRACK

Standard Kits

STAINLESS ROUND TRACK



- Polymer Wheels for quiet operation
- 200 lbs per Door
- 6' and 8' Options
- For Interior 1-3/8" or 1-3/4" Thick Doors
- All Fasteners Included
- Quality Boxed Packaging
- Satin Stainless finish only

| PART NO.  | DESCRIPTION                        | HANGERS           |  |
|-----------|------------------------------------|-------------------|--|
| RDTM-SS-6 | 6' Satin Stainless Round Track Kit | Top-Mount Hangers | KITS CONTAINS: Track (25mm Dia x 2mm thick), Hangers, Spacers, End Stops, Floor Guide, and all Necessary Fasteners |
| RDTM-SS-6 | 6' Satin Stainless Round Track Kit | Top-Mount Hangers |  |
| RDST-SS-6 | 6' Satin Stainless Round Track Kit | Drop Hangers      | KITS CONTAINS: Track (25mm Dia x 2mm thick), Hangers, Spacers, End Stops, Floor Guide, and all Necessary Fasteners |
| RDST-SS-8 | 8' Satin Stainless Round Track Kit |                   |  |

See pages 12 and 13 for specifications and additional parts.



- Polymer Wheels for quiet operation
- Built-In Soft Close & Open
- 200 lbs per Door
- 6' Option Only in Stainless Steel
- For Interior 1-3/8" or 1-3/4" Thick Doors
- All Fasteners Included

| PART NO.    | DESCRIPTION   | HANGERS                 |  |
|-------------|---|-------------------------|--|
| RDTMDS-SS-6 | 6' Satin Stainless Round Track with Built In Soft Close | Top Mount w/ Soft Close | KITS CONTAINS: Track (25mm Dia x 2mm thick), Hangers, Spacers, End Stops, Floor Guide, and all Necessary Fasteners |

The RDTMDS-SS-6 is only available as a kit. The extra components shown on page 12 are not compatible with this track set.



# SLIDING DOOR LOCKS & PULLS

Accessories for Sliding Track



**AH-RECPULL-6.5**



**AH-PRIVLATCH**



**AH-WMADJ-BL**



**AH-RDPULL**

| MFG #             | DESCRIPTION                                  | FINISH            |
|-------------------|--|-------------------|
| AH-RDPULL-BL      | Round Pull, 1.89" Dia., Pair                 | Black (Stainless) |
| AH-RDPULL-SS      |  | Stainless         |
| AH-PRIVLATCH-BL   | Privacy Latch for Sliding Doors              | Black             |
| AH-PRIVLATCH-SS   |  | Stainless         |
| AH-WMADJ-BL       | Wall Mounted Door Guide                      | Black             |
| AH-RECPULL-BL-6.5 | Rectangular Pull, 6.5"                       | Black             |
| AH-RECPULL-SS-6.5 |  | Stainless         |
| AH-RECPULL-BL-8   | Rectangular Pull, 8"                         | Black             |
| AH-RECPULL-SS-8   |  | Stainless         |
| AH-COMBOPULL-SS   | 12" Round Bar Pull & 8" Recessed Pull Combo  | Stainless         |
| AH-COMBOPULL-BL   |  | Black             |
| AH-COMBOSQ-SS     | 12" Square Bar Pull & 8" Recessed Pull Combo | Stainless         |
| AH-COMBOSQ-BL     |  | Black             |



**AH-RECPULL-8**



**AH-COMBOPULL**



**AH-COMBOSQ**

# COMPONENT PARTS

For Flat Track and Round Stainless



## Hangers

| PART NO. | FINISH | DESCRIPTION |
|----------|--------|-------------|
|----------|--------|-------------|

### FLAT TRACK HANGERS

|                |                   |                              |
|----------------|-------------------|------------------------------|
| FTST-HANGER-BL | Black             |                              |
| FTST-HANGER-OB | Oil-Rubbed Bronze | Traditional Drop Hanger Only |
| FTST-HANGER-SS | Stainless Steel   |                              |
| FTST-HANGER-SN | Satin Nickel      |                              |
| FTTM-HANGER-BL | Black             |                              |
| FTTM-HANGER-SS | Satin Stainless   | Top Mount Hanger Only        |
| FTTM-HANGER-SN | Satin Nickel      |                              |
| FTSK-HANGER-BL | Black             | Spoke Wheel Hanger Only      |

| PART NO.       | FINISH            | DESCRIPTION           |
|----------------|-------------------|-----------------------|
| FTHS-HANGER-BL | Black             | Horseshoe Hanger Only |
| FTHS-HANGER-OB | Oil-Rubbed Bronze |                       |
| FTSP-HANGER-BL | Black             | Spears Hanger Only    |
| FTSP-HANGER-OB | Oil-Rubbed Bronze |                       |









### ROUND STAINLESS HANGERS

|                |                 |                       |
|----------------|-----------------|-----------------------|
| RDTM-HANGER-SS | Stainless Steel | Top Mount Hanger Only |
| RDST-HANGER-SS | Stainless Steel | Drop Hanger Only      |



## Components

| PHOTO | PART NO. | DESCRIPTION |
|-------|----------|-------------|
|-------|----------|-------------|







### Flat Track Additional Parts

|   |                |  |
|---|----------------|--|
|  | FTST-STOP-BL   | Extra Stops for Flat Track               |
|   | FTST-STOP-OB   |  |
|   | FTST-STOP-SS   |  |
|   | FTST-STOP-SN   |  |
|  | FT-GUIDE-BL    | Extra Floor Guide, Black                 |
|  | FT-ADJGD-BL    | Adjustable Metal Guide, Black            |
|  | FT-METGD       | Metal Guide, Black                       |
|  | FT-BLOCK-BL    | Anti-Jump Blocks, Black                  |
|  | FT-CONNECT-BL  | Connector Plate                          |
|   | FT-CONNECT-OB  |  |
|   | FT-CONNECT-SS  |  |
|  | FTSK-STOP-BL   | Extra Stop for Spoke Wheel Hanger, Black |
|  | FT-WASHER-6-BL | 6 mm Spacer Extender, 6/ Set             |
|   | FT-WASHER-6-OB |  |
|   | FT-WASHER-6-SS |  |
|   | FT-WASHER-6-SN |  |

| PHOTO | PART NO. | DESCRIPTION |
|-------|----------|-------------|
|-------|----------|-------------|

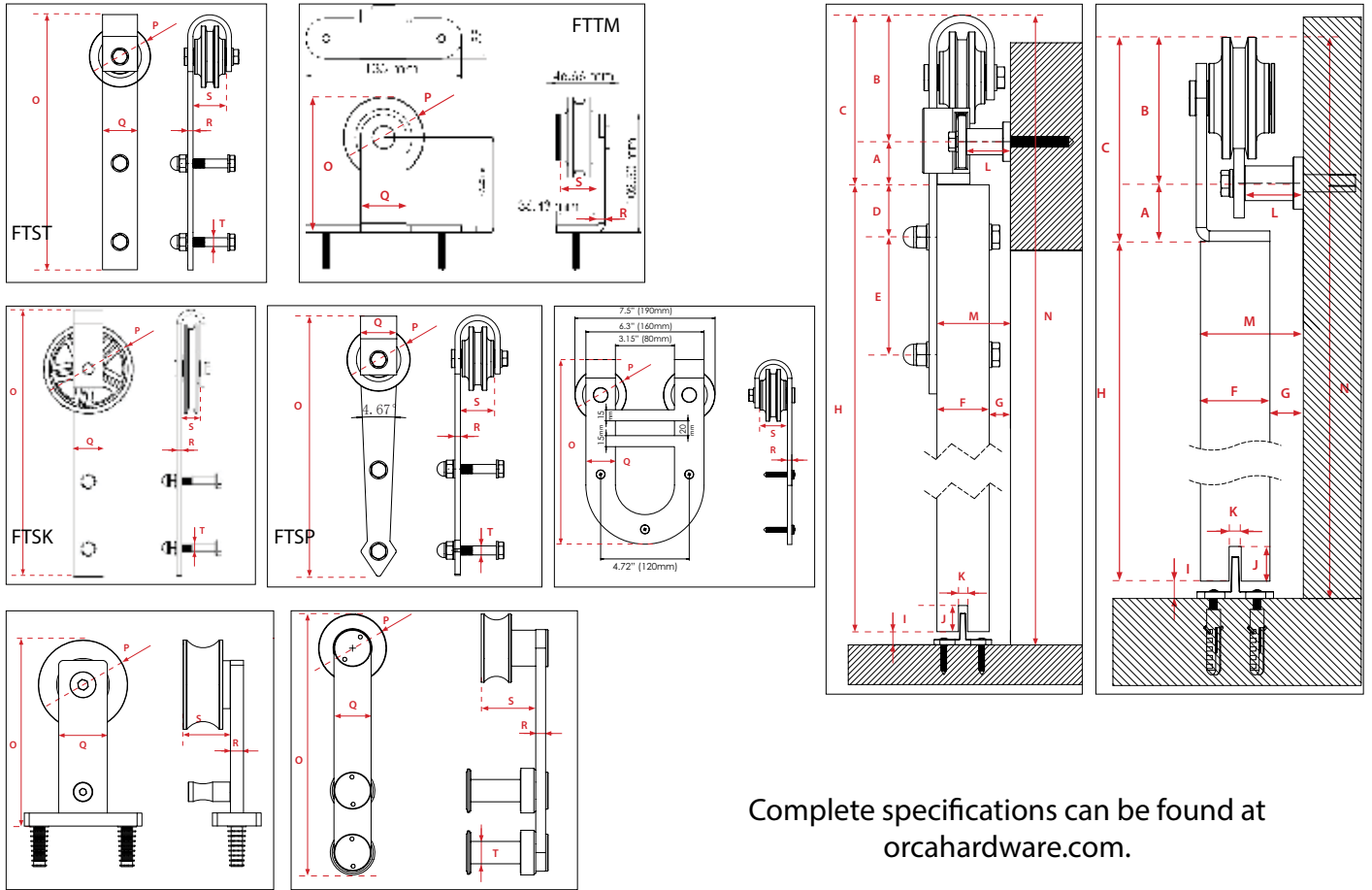
|   |                 |  |
|---|-----------------|--|
|  | FT-WASHER-14-BL | 14 mm Spacer Extender & Lag, 6/Set               |
|   | FT-WASHER-14-OB |  |
|   | FT-WASHER-14-SS |  |
|   | FT-WASHER-14-SN |  |
|  | FTST-SPACER-BL  | Track Spacer W/ Lag Bolt For 1-3/8 - 1-3/4" Door |
|   | FTST-SPACER-OB  |  |
|   | FTST-SPACER-SN  |  |
|   | FTST-SPACER-SS  |  |
|   | FTSK-SPACER-BL  |  |

### Round Track Additional Parts

|   |                                |   |
|---|--------------------------------|---|
|  | RD-CONNECT-SS                  | Round Track Connector for Combining Tracks, Stainless Steel |
|  | RDST-STOP-SS                   | Extra Stop for Drop Hangers, Stainless Steel                |
|  | RDTML-STOP-SS<br>RDTMR-STOP-SS | Extra Stops for Top Mount Hangers, Stainless Steel          |
|  | RD-GUIDE-SS                    | Extra Floor Guide, Stainless Steel                          |
|  | RDST-MOUNT-SS                  | Mounting Bracket for RDTM-SS, Stainless Steel               |
|  | RDSTE-MOUNT-SS                 | Mounting Bracket for RDST-SS, Stainless Steel               |

# SPECIFICATIONS

## For Flat Track and Round Stainless



Complete specifications can be found at [orcahardware.com](http://orcahardware.com).

| Measurement | FTST                 | FTSM                   | FTSK                   | FTSP                 | FTMS                 | RDTM                       | R DST                           |
|-------------|----------------------|------------------------|------------------------|----------------------|----------------------|----------------------------|---------------------------------|
| A           | 1.299" / 33mm        | 1.319" / 33.5mm        | 1.299" / 33mm          | 1.299" / 33mm        | 1.299" / 33mm        | 2.047" / 52mm              | .984" / 25mm                    |
| B           | 3.858" / 98mm        | 3.307" / 84mm          | 6.122" / 155.5mm       | 3.858" / 98mm        | 3.858" / 98mm        | 1.673" / 62.5mm            | 2.401" / 61.5mm                 |
| C           | 5.157" / 131mm       | 4.626" / 117.5mm       | 7.421" / 188.5mm       | 5.157" / 131mm       | 5.157" / 131mm       | 4.508" / 114.5mm           | 3.405" / 86.5mm                 |
| D           | 1.575" / 40mm        | -                      | 1.575" / 40mm          | 1.575" / 40mm        | .965" / 24.5mm       | -                          | 2.165" / 55mm                   |
| E           | 3.543" / 90mm        | -                      | 3.543" / 90mm          | 3.543" / 90mm        | 2.933" / 74.5mm      | -                          | 1.968" / 50mm                   |
| F           | Door Thickness       |                        |                        |                      |                      |                            |                                 |
| G           | 2.205" - F / 56-F*mm | 2.441" - F / 62-F*mm   | 2.185" - F / 55.5-F*mm | 2.205" - F / 56-F*mm | 2.205" - F / 56-F*mm | 1.53" - F/2 / 38.9-F/2*mm  | 2.275" - F / 57.8-F*mm          |
| H           | Height of Door       |                        |                        |                      |                      |                            |                                 |
| I           | .394" / 10mm         | .394" / 10mm           | .394" / 10mm           | .394" / 10mm         | .394" / 10mm         | .394" / 10mm               | .394" / 10mm                    |
| J           | .787" / 20mm         | .787" / 20mm           | .787" / 20mm           | .787" / 20mm         | .787" / 20mm         | .787" / 20mm               | 0.787" / 20mm                   |
| K           | .275" / 7mm          | .275" / 7mm            | .275" / 7mm            | .275" / 7mm          | .275" / 7mm          | .275" / 7mm                | .275" / 7mm                     |
| L           | 1.338" / 34mm        | 1.338" / 34mm          | 1.575" / 40mm          | 1.338" / 34mm        | 1.338" / 34mm        | .7086" / 18mm              | .984" / 25mm                    |
| M           | 2.205" / 56mm        | 2.441" / 62mm          | 2.185" / 55.5mm        | 2.205" / 56mm        | 2.205" / 56mm        | (F/2)+1.53" / (F/2)+38.9mm | 1.88" / 2.275" / 47.8 / 57.8 mm |
| N           | H + 5.551" / H+141mm | H + 5.019" / H+127.5mm | H + 7.815" / H+198.5mm | H + 5.551" / H+141mm | H + 5.551" / H+141mm | H + 4.901" / H+124.5mm     | H + 3.799" / H+96.5mm           |
| O           | 11.417" / 290mm      | 4.626" / 117.5mm       | 14.0157" / 356mm       | 11.319" / 287.5mm    | 9.842" / 250mm       | 4.508" / 114.5mm           | 8.287" / 210.5mm                |
| P           | 2.756" / 70 dia.mm   | 2.756" / 70 dia.mm     | 4.724" / 120 dia.mm    | 2.756" / 70 dia.mm   | 2.756" / 70 dia.mm   | 2.165" / 55 dia.mm         | 2.165" / 55 dia.mm              |
| Q           | 1.575" / 40mm        | 1.575" / 40mm          | 1.575" / 40mm          | 1.575" / 40mm        | 1.575" / 40mm        | 1.181" / 30mm              | 1.181" / 30mm                   |
| R           | .236" / 6mm          | .236" / 6mm            | .236" / 6mm            | .236" / 6mm          | .236" / 6mm          | .315" / 8mm                | .315" / 8mm                     |
| S           | 1.496" / 38mm        | 1.496" / 38mm          | .984" / 25mm           | 1.496" / 38mm        | 1.496" / 38mm        | 1.145" / 29.1mm            | 1.771" / 45mm                   |
| T           | .394" / 10 dia.mm    | -                      | .394" / 10 dia.mm      | .394" / 10 dia.mm    | -                    | -                          | .708" / 18mm                    |

# CABINET FLAT TRACK KIT

Hangers & Hardware to Add a Second Door to a Track



CABINET FLAT TRACK



FTMM-MINI-BL-5



FTSP-MINI-BL-5



FTLO-MINI-SN-5



FTST-MINI-SN-5

## COMPLETE KITS

| Part Number    | Description   |
|----------------|---|
| FTST-MINI-BL-5 | 5 FT Black Flat Track with Standard Drop Hangers        |
| FTST-MINI-SN-5 | 5 FT Satin Nickel Flat Track with Standard Drop Hangers |
| FTMM-MINI-BL-5 | 5 FT Black Flat Track with Top Mount Hangers            |
| FTSP-MINI-BL-5 | 5 FT Black Flat Track with Spear Hangers                |
| FTLO-MINI-BL-5 | 5 FT Black Flat Track with Long Drop Hangers            |



# CABINET FLAT TRACK KIT

Standard Kits

CABINET FLAT TRACK

## GENERAL INFORMATION

|  |  |   |
|--|--|---|
| <p><b>APPLICATIONS:</b></p> <p>Cabinet Sliding Doors or Panels up to 60 lbs.</p> <p>Maximum Door Thickness: 1-3/8"</p> <p>Single door or double door</p> | <p><b>FINISHES:</b></p> <p><b>Single Door</b><br/>Flat Black<br/>Satin Nickel (Only available on standard hangers)</p> <p><b>Double Door Kits</b><br/>Flat Black<br/>Satin Nickel (Only available on standard hangers)</p> | <p><b>Single Door Track Kit includes:</b></p> <p>5' Track<br/>Hangers (2)<br/>Spacers<br/>End Stops</p> <p>Anti-Jump Blocks<br/>All Fasteners<br/>Door Guides<br/>Instructions</p> <p><b>Double Door Kit includes:</b></p> <p>Hangers (2)<br/>End Stops<br/>Anti-Jump Blocks</p> <p>All Fasteners<br/>Door Guides</p> |
|--|--|---|

For information about Orca Hardware's product warranty visit [www.orcahardware.com/warranty](http://www.orcahardware.com/warranty)



FTLO-MINI-BL-5 and  
FTLO-MINI-BL-DDK

## HOW TO ORDER

### Single Door Kits

| Hanger Type          | Finish       | Doors            |
|----------------------|--------------|------------------|
| ST (Std Drop Hanger) | Flat Black   | 5' (Single Door) |
| TM (Top Mount)       | Satin Nickel |                  |
| LO (Long Drop)       |              |                  |
| SP (Spear)           |              |                  |

### Double Door Applications

ORDER FULL SINGLE DOOR KIT + DOUBLE DOOR KIT

| Hanger Type          | Finish       | Doors             |
|----------------------|--------------|-------------------|
| ST (Std Drop Hanger) | Flat Black   | DDK (Double Door) |
| TM (Top Mount)       | Satin Nickel |                   |
| LO (Long Drop)       |              |                   |
| SP (Spear)           |              |                   |

## DOUBLE DOOR KITS

FTSP-MINI-BL-5 and  
FTSP-MINI-BL-DDK



| Part Number      | Description  |
|------------------|--|
| FTST-MINI-BL-DDK | Black Double Door Kit for Standard Drop Hangers        |
| FTST-MINI-SN-DDK | Satin Nickel Double Door Kit for Standard Drop Hangers |
| FTTM-MINI-BL-DDK | Black Double Door Kit for Top Mount Hangers            |
| FTSP-MINI-BL-DDK | Black Double Door Kit for Spear Hangers                |
| FTLO-MINI-BL-DDK | Black Double Door Kit for Long Drop Hangers            |

# POCKET DOOR HARDWARE

3-Wheel Hangers, 200 lbs Pocket Door Frame Kits



POCKET DOOR HARDWARE



PK1200-BB



PK1200-Track

| Part Number | Description |
|-------------|-------------|
|-------------|-------------|

### POCKET DOOR FRAME COMPLETE KITS

|              |  |
|--------------|--|
| PK1200-80-BB | 6' 8" Pocket Door Frame Kit with 2 Ball Bearing Rollers, 200LB Capacity, for 2x4 Studs |
| PK1200-84-BB | 7' Pocket Door Frame Kit with 2 Ball Bearing Rollers, 200LB Capacity, for 2x4 Studs    |
| PK1200-96-BB | 8' Pocket Door Frame Kit with 2 Ball Bearing Rollers, 200LB Capacity, for 2x4 Studs    |
| PK1260-80-BB | 6' 8" Pocket Door Frame Kit with 2 Ball Bearing Rollers, 200LB Capacity, for 2x6 Studs |
| PK1260-84-BB | 7' Pocket Door Frame Kit with 2 Ball Bearing Rollers, 200LB Capacity, for 2x6 Studs    |
| PK1260-96-BB | 8' Pocket Door Frame Kit with 2 Ball Bearing Rollers, 200LB Capacity, for 2x6 Studs    |

### BULK TRACK AND PARTS

|              |  |
|--------------|--|
| PK1200-TR-48 | 48" Sliding Door Aluminum Track Only for 1225 Rollers  |
| PK1200-TR-60 | 60" Sliding Door Aluminum Track Only for 1225 Rollers  |
| PK1200-TR-72 | 72" Sliding Door Aluminum Track Only for 1225 Rollers  |
| PK1200-TR-96 | 96" Sliding Door Aluminum Track Only for 1225 Rollers  |
| PK-1225-KIT  | Pocket Door Part Set, Triple Wheel Rollers & Hardware, 1" Ball Bearing Wheels, 200LB Capacity  |
| PK-1225-BB   | Single Roller Only, Triple Wheel Roller for Pocket Door, 1" Ball Bearing Wheel, 200LB Capacity |
| PKSC-1216    | Soft Close for 1200 Series Track   |



PK-1225-KIT

See pages 21-22 for specifications and additional parts.



# BYPASS DOOR HARDWARE

4 Wheel Hangers, 250 lbs Track & Hardware Kits

**250 LB. BYPASS HARDWARE**



BPK-1600



| Part Number | Description |
|-------------|-------------|
|-------------|-------------|

### SLIDING DOOR HARDWARE SETS, 250 lbs

|            |   |
|------------|---|
| BPK1600-48 | 4' 4-Wheel Ball Bearing Bypass Door Hardware Complete Kit for 250 lbs |
| BPK1600-60 | 5' 4-Wheel Ball Bearing Bypass Door Hardware Complete Kit for 250 lbs |
| BPK1600-72 | 6' 4-Wheel Ball Bearing Bypass Door Hardware Complete Kit for 250 lbs |

### BULK TRACK AND PARTS

|            |   |
|------------|---|
| PK-1672    | 72" Track Only for 4 Wheel Roller   |
| PK-1696    | 96" Track Only for 4 Wheel Roller   |
| PK-1625-BB | Hardware Set for Sliding Pocket Door, 4 Wheel Ball Bearing Rollers and Hardware 250LB |
| PKSC-1616  | Soft Close for 1600 Series Track  |



PK1600 Series Track



PK1625-BB Hardware Set



PKSC1616 Soft Close

See pages 21-22 for specifications and additional parts.

# BYPASS DOOR HARDWARE

3-Wheel Hangers, 150 lbs Bypass Kits



150 LB. BYPASS KITS



Hangers & Stops  
(flush pulls, floor guide & fasteners not shown)

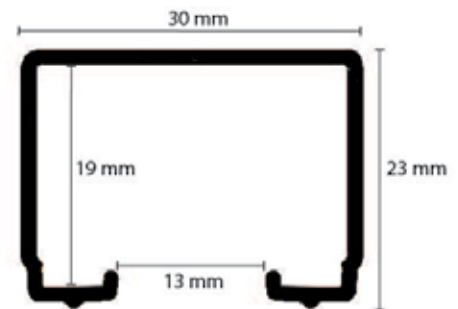


BPK1100 Track

| Part Number  | Description   |
|--|---|
| <b>SLIDING DOOR HARDWARE SETS WITH 3-WHEEL HANGERS</b> |   |
| BPK1100-48   | Contains 2 48" Tracks, 4 3-wheel ball bearing hangers, stops, floor guide, pulls, wrench, fasteners |
| BPK1100-60   | Contains 2 60" Tracks, 4 3-wheel ball bearing hangers, stops, floor guide, pulls, wrench, fasteners |
| BPK1100-72   | Contains 2 72" Tracks, 4 3-wheel ball bearing hangers, stops, floor guide, pulls, wrench, fasteners |
| BPK1100-96   | Contains 2 96" Tracks, 4 3-wheel ball bearing hangers, stops, floor guide, pulls, wrench, fasteners |

## Each Kit contains:

- 2 Tracks
- 4 each 3-wheel ball bearing hangers and plates
- 2 stops
- Floor guide
- 2 each 2-1/8" zinc pulls
- Wrench
- Screws & Fasteners



BPK1100  
Track Profile

## SPECIFICATIONS

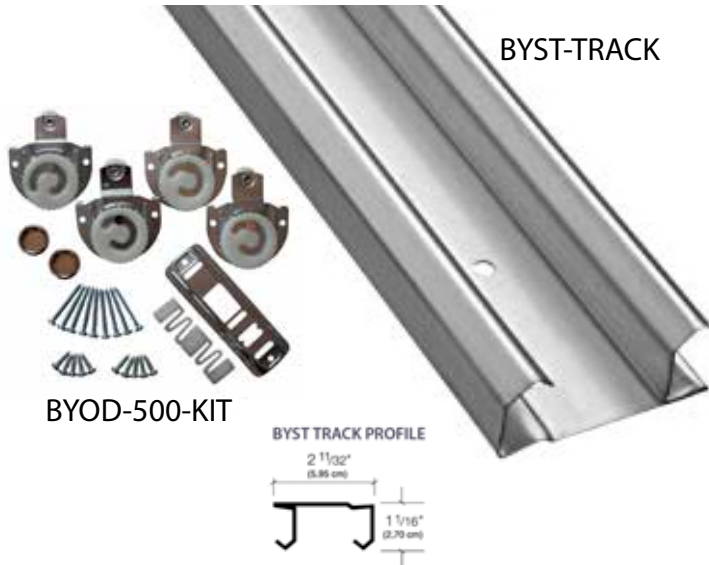
- For two (2) Sliding Closet Doors each with a minimum door thickness of 1-3/8" weighing up to 150 lbs. each
- Four (4) 3-wheel hangers - 3/4" wheel diameter
- Galvanized Steel track is jump proof & resists corrosion



# BYPASS DOOR HARDWARE

60 lbs Dial-Adjust Hangers

**60 LB. DIAL ADJUST BYPASS**



| Part Number | Description |
|-------------|-------------|
|-------------|-------------|

**SLIDING DOOR HARDWARE SETS WITH DIAL-ADJUST HANGERS**

|             |  |
|-------------|--|
| BYST-500-48 | 48" Bypass Door Hardware Complete Kit Dial-Adjust Offset Dials, 60 lbs |
| BYST-500-60 | 60" Bypass Door Hardware Complete Kit Dial-Adjust Offset Dials, 60 lbs |
| BYST-500-72 | 72" Bypass Door Hardware Complete Kit Dial-Adjust Offset Dials, 60 lbs |
| BYST-500-96 | 96" Bypass Door Hardware Complete Kit Dial-Adjust Offset Dials, 60 lbs |

**SLIDING DOOR BULK TRACK AND DIAL-ADJUST HANGERS**

|              |  |
|--------------|--|
| BYST-48-01   | 48" Bypass Track Only For Either Dial-Adjust or Slot-Adjust Hangers              |
| BYST-60-01   | 60" Bypass Track Only For Either Dial-Adjust or Slot-Adjust Hangers              |
| BYST-72-01   | 72" Bypass Track Only For Either Dial-Adjust or Slot-Adjust Hangers              |
| BYST-96-01   | 96" Bypass Track Only For Either Dial-Adjust or Slot-Adjust Hangers              |
| BYOD-500-KIT | Bypass Door Rollers For 2 Piece Door W/ Floor Guide, 2-7/16" Dials, 2-1/8" Dials |
| BYOD1-716    | Bypass Door Dial-Adjust #1 Hanger Only, Adjustable 7/16"                         |
| BYOD2-18     | Bypass Door Dial-Adjust #2 Hanger Only, Adjustable 1/8"                          |

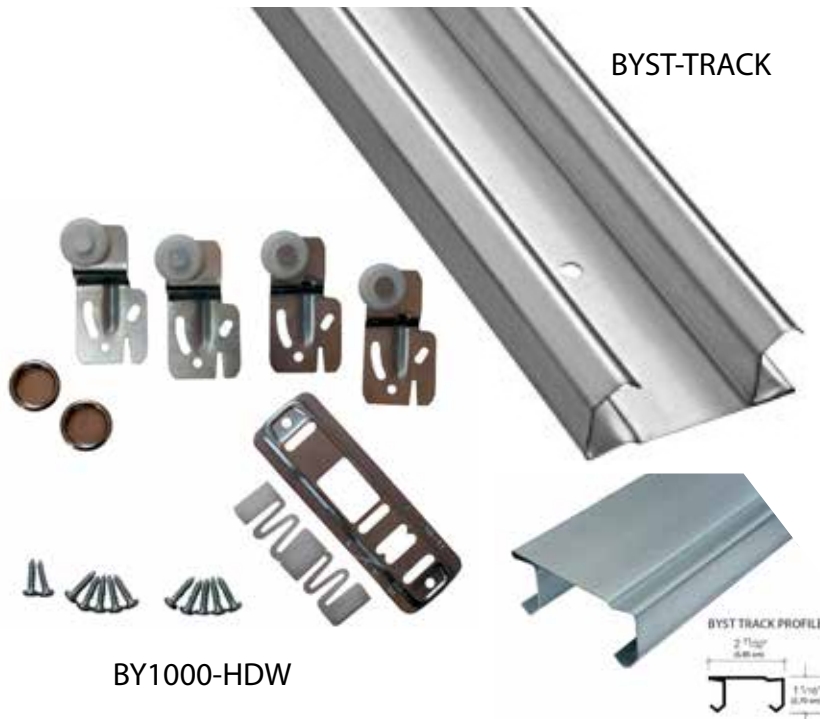
**SPECIFICATIONS**

- For two (2) Sliding Closet Doors each with a thickness of 3/4" to 1-3/8" weighing up to 60 lbs. each
- Four (4) Dial-adjust hangers make it easy to adjust height and align doors without use of special tools. Up to 5/16" vertical door adjustment
- Galvanized Steel V-shaped track is jump proof & resists corrosion See pages 22 for additional specification

# BYPASS DOOR HARDWARE

60 lbs Slot-Adjust Hangers

60 LB. SLOT ADJUST BYPASS



| Part Number | Description |
|-------------|-------------|
|-------------|-------------|

### SLIDING DOOR HARDWARE SETS WITH SLOT ADJUST HANGERS

|           |  |
|-----------|--|
| BY1300-48 | 48" Bypass Door Hardware Complete Kit Slot-Adjust Offset Dials, 60 lbs |
| BY1300-60 | 60" Bypass Door Hardware Complete Kit Slot-Adjust Offset Dials, 60 lbs |
| BY1300-72 | 72" Bypass Door Hardware Complete Kit Slot-Adjust Offset Dials, 60 lbs |

### SLIDING DOOR BULK TRACK AND SLOT-ADJUST HANGERS

|            |  |
|------------|--|
| BYST-48-01 | 48" Bypass Track Only For Either Dial-Adjust or Slot-Adjust Hangers  |
| BYST-60-01 | 60" Bypass Track Only For Either Dial-Adjust or Slot-Adjust Hangers  |
| BYST-72-01 | 72" Bypass Track Only For Either Dial-Adjust or Slot-Adjust Hangers  |
| BYST-96-01 | 96" Bypass Track Only For Either Dial-Adjust or Slot-Adjust Hangers  |
| BY1000-HDW | Hardware Kit for BYST Track Contains: 2ea 1/4" Offset Rollers & 2ea 1/2" Offset Rollers, Screws, 2ea Finger Pulls, and Floor Guide |

### SPECIFICATIONS

- For two (2) Sliding Closet Doors each with a thickness of 3/4" to 1-3/8" weighing up to 60 lbs. each
- Four (4) Adjustable hangers make it easy to adjust height and align doors without use of special tools. Up to 5/16" vertical door adjustment
- Galvanized Steel V-shaped track is jump proof & resists corrosion

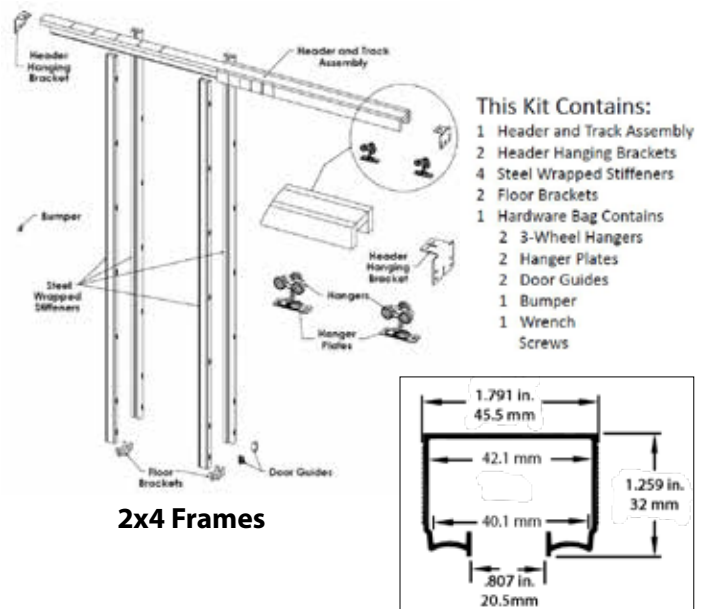
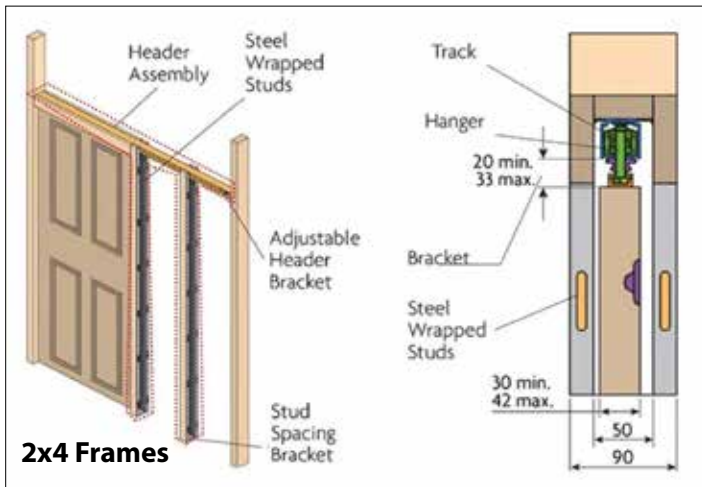
See pages 22 for additional specification

### ADDITIONAL COMPONENT PARTS

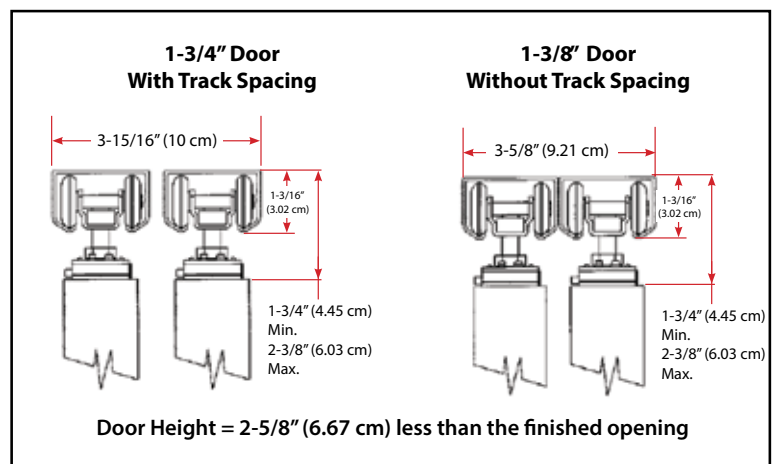
| PART NO.     | DESCRIPTION                                    |  |
|--------------|--|--|
| PK1211-VERG  | Converging Door Kit for 1200 Pocket Door Frame |  |
| PK1212-ADT   | Door Adaptor Kit for 1 3/4" Door               |  |
| PK1213-ADJGD | Bottom Door Guides                             |  |
| PK1214-STOP  | Mill Stops for Converging Door                 |  |
| PK1215-BUMP  | Door Bumper                                    |  |

| PART NO.    | DESCRIPTION                                      |  |
|-------------|--|--|
| PK1216-WGU  | Wall Mounted Adjustable Door Guide; Plastic      |  |
| PK1217-FPSN | 3/4" Finger Pulls for Bypass Doors; Satin Nickel |  |
| PK1218-GU   | Plastic Floor Guide with Screws                  |  |
| BY-FLGU     | Adjustable Floor Guide with Metal Bracket        |  |

### 1200 SERIES SPECS



### 1600 SERIES SPECS



# SPECIFICATIONS

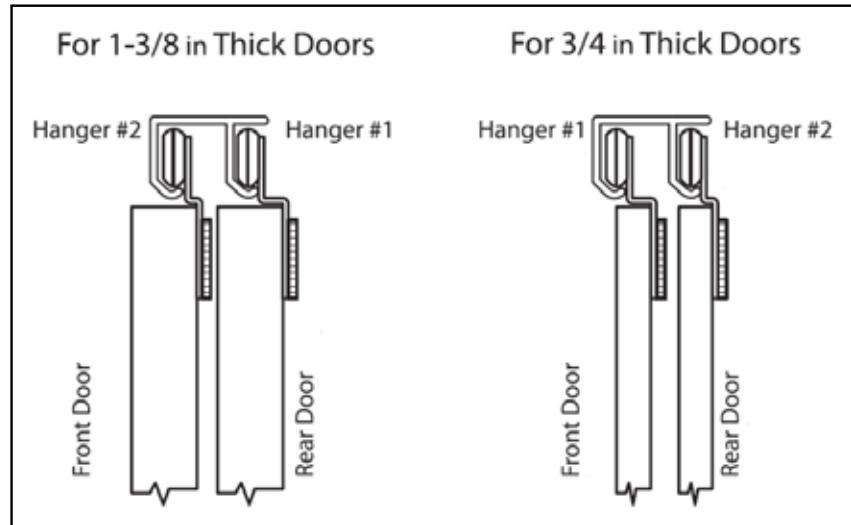
## Pocket and Bypass Track Hardware

### SPECIFICATIONS

- For two (2) Sliding Closet Doors each with a thickness of 3/4" to 1-3/8" weighing up to 60 lbs. each
- Four (4) Dial-adjust hangers make it easy to adjust height and align doors without use of special tools. Up to 5/16" vertical door adjustment
- Galvanized Steel V-shaped track is jump proof & resists corrosion

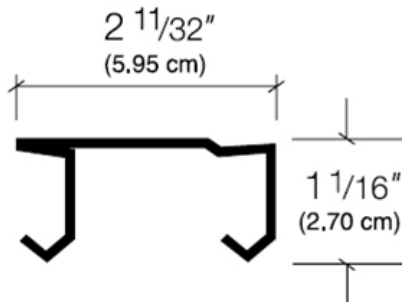
## BYST-500 SERIES SPECS

### DIAL ADJUST



**BYST Track is used for both BYST-500 & BY1300 Series**

### BYST TRACK PROFILE



## BY1300 SERIES SPECS

### SLOT ADJUST

### SPECIFICATIONS

- For two (2) Sliding Closet Doors each with a thickness of 3/4" to 1-3/8" weighing up to 60 lbs. each
- Four (4) Adjustable hangers make it easy to adjust height and align doors without use of special tools. Up to 5/16" vertical door adjustment
- Galvanized Steel V-shaped track is jump proof & resists corrosion

